



TRIM  
&  
MOULDING  
CATALOGUE

**OLD WORLD**  
WOODWORKING & MILLWORK INC.

5TH EDITION

## Contents

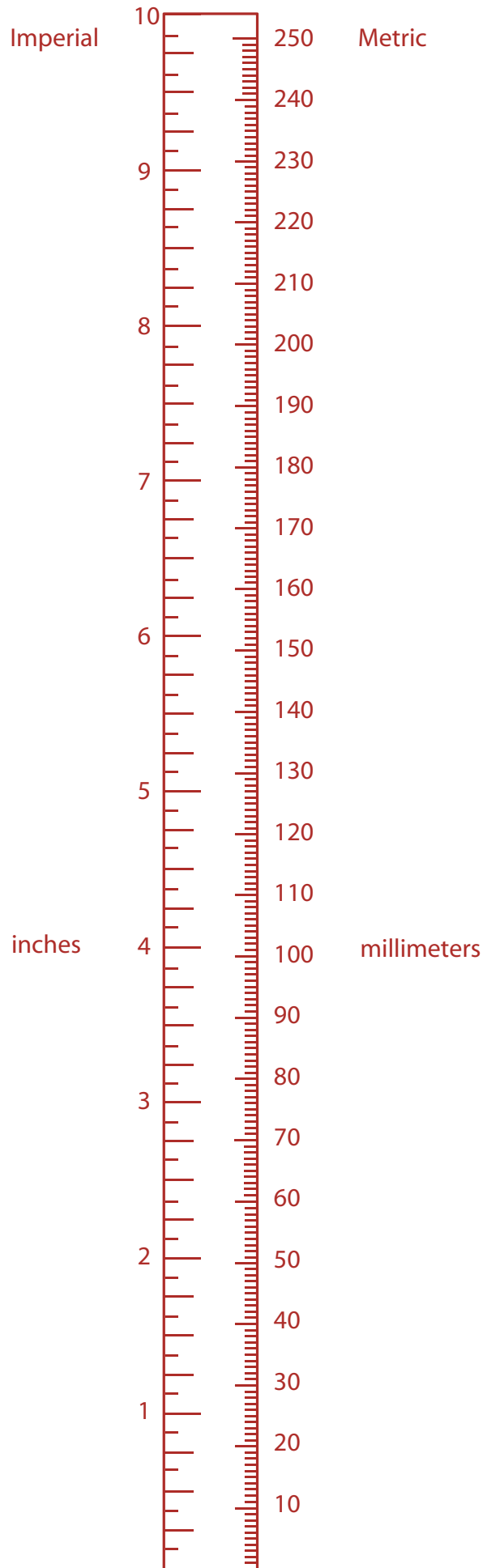
About Us

Terms and Conditions

Section 1	Casings
Section 2	Baseboards
Section 3	Plinth, Cornerblock
Section 4	Crown, Cap, Architrave
Section 5	Bolections, Panel Moulding
Section 6	Bed Moulds, Quater-rounds
Section 7	Chair Rail
Section 8	Doorstop
Section 9	Handrail / Porch Handrail
Section 10	Windowsills
Section 11	Miscellaneous

Notes

Dimension: The metric dimensions in the catalogue are accurate: the imperial dimensions are rounded up or down.



## About Us

We specialize in high-quality traditional solid wood millwork for custom builders and old home reproductions.

Our rapid production and reasonable prices are combined with personalized service. Most of our profiles are based on historical millwork to match existing mouldings or to replicate an authentic look. We fill a wide range of customer requirements, from unique custom-designed doors, handrails and porch components like gingerbread and brackets to the finest architectural mouldings for homes or high-end commercial projects.

We also offer a service to design historic features to match old styles, or give new buildings an authentic “old” look.

## Custom Mouldings

*Low set up and tooling costs!*

We are specially suited for reproduction of your existing millwork. Our catalogue of stock items contains many commonly used historic mouldings. If you cannot find the moulding you need, we will be pleased to manufacture it by working with our many edge and centre profiles on standard bases.

## Custom Knife Grinding

We take pride in our ability to match existing heritage millwork and will grind knives to replicate any pattern or profile not in our catalogue. Call us for pricing, or send a sample of the moulding you want matched. We can work from tracings or paper patterns.

*Very low knife grinding costs!*

We try our very best to match your profile. A lot of old moldings have been worked on, stripped or sanded, over the years. We try to reproduce the unchanged original form if not otherwise requested.

## Terms & Conditions

### Set-Up Charges on Custom Mouldings:

For smaller quantities of mouldings, a set-up charge is necessary to offset manufacturing costs. Orders below 50 lineal feet have a \$75 set-up fee. Orders from 50 to 300 lineal feet have \$60 set-up charge. There is no set-up charge for runs over 300 feet.

### Length:

All lengths are random and vary from three to 12 feet. We purchase our wood in random lengths. When ordering random lengths, be sure to include a 10%-15% waste factor when ordering. Orders that require specified lengths will be subject to a 15% surcharge.

**Return Policy:** Orders cannot be cancelled after placing an order. There are no returns on custom orders. All mouldings with three letter labels are custom orders with no returns.

**Price:** We reserve the right to change prices and product specifications without notice.

**Special Note:** All mouldings may have natural colour variations due to the characteristics of wood types.

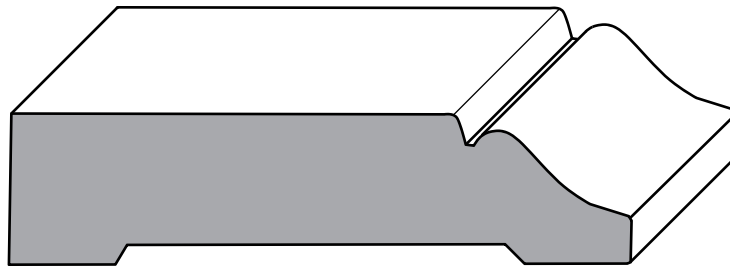
**Dimension:** The metric dimensions in the catalogue are accurate, the imperial dimensions are rounded up or down.

**Custom Tooling:** Old World Woodworking reserves the right to change and improve custom profile designs and dimension without notice, except for requested and approved samples. If you require confirmation of the shape of the reproduction tool, you must let us know at the time of ordering and we will show you the tooling template. Otherwise we will proceed with the order within our tolerances of 2mm. Knives remain the property of Old World Woodworking after your project is complete.

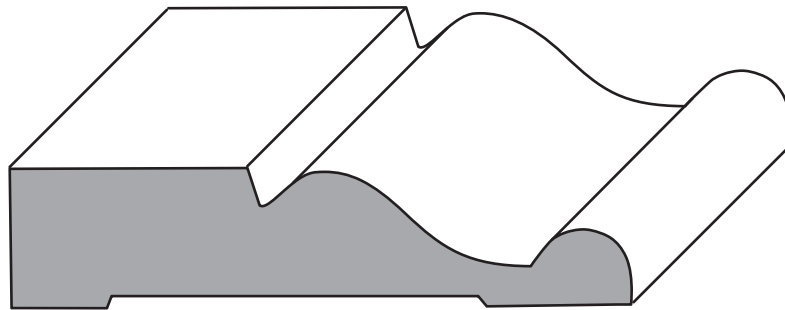
# OLD WORLD

WOODWORKING & MILLWORK INC.

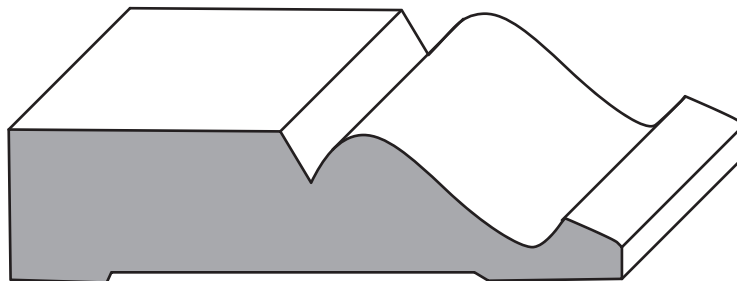
---



**1.** 3/4 x 3 1/4"  
20 x 83 mm



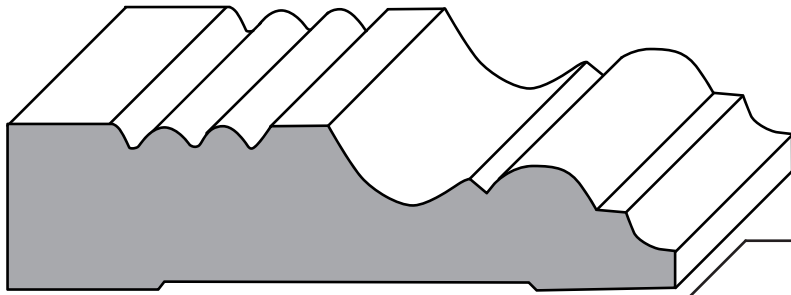
**2.** 3/4 x 3 1/4"  
20 x 83 mm



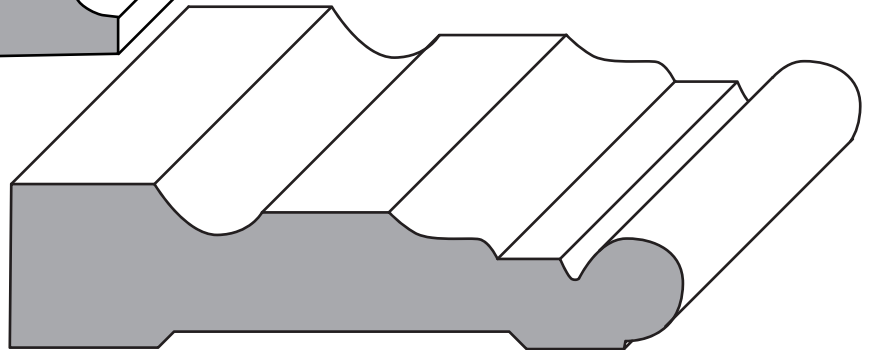
**3.** 3/4 x 3 1/4"  
20 x 83 mm



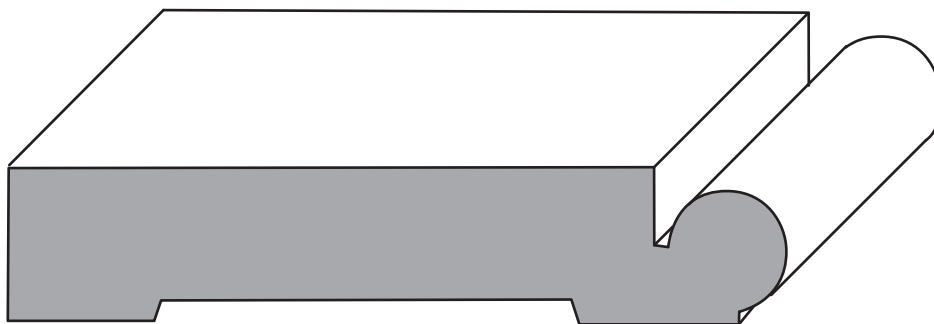
**4.** 3/4 x 3 1/4"  
20 x 83 mm



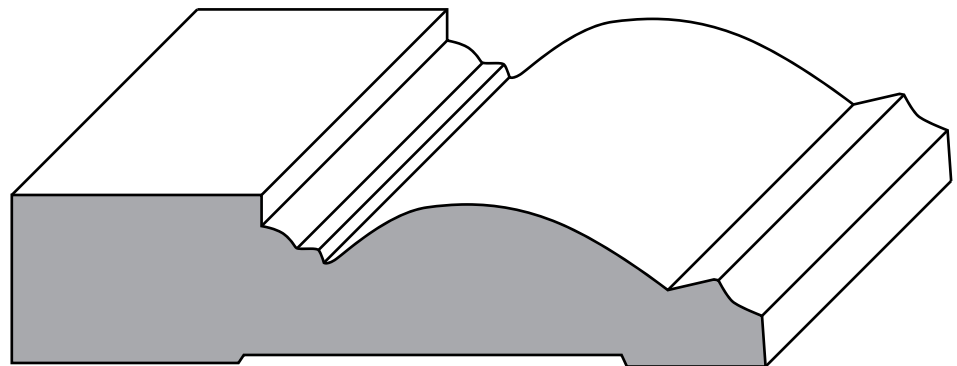
**5.** 7/8 x 3 1/2"  
22 x 89 mm



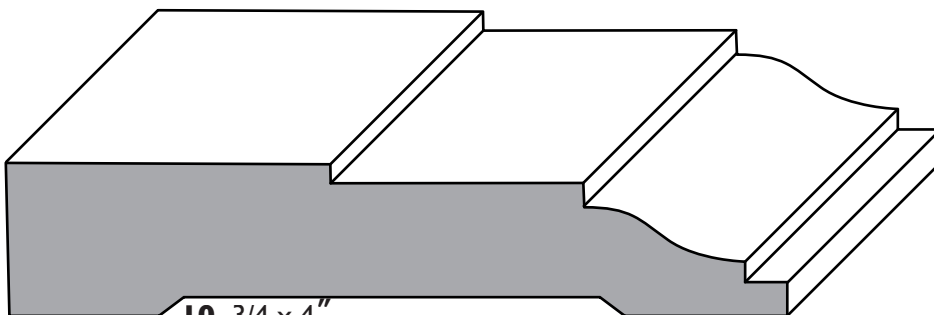
**7.** 7/8 x 3 1/2"  
22 x 89 mm



**8.** 7/8 x 4"  
22 x 102 mm

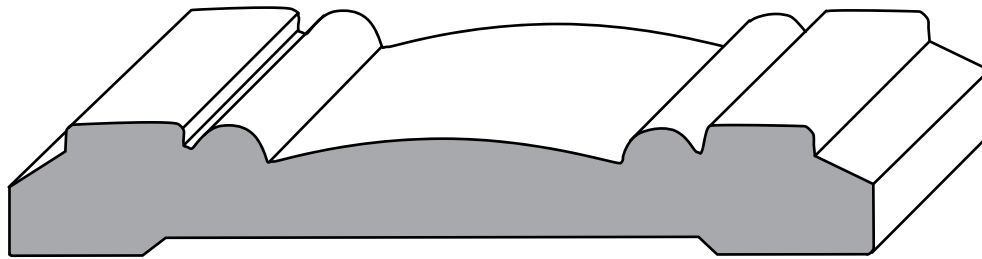


**9.** 7/8 x 4"  
22 x 102 mm  
Recommended Base #51

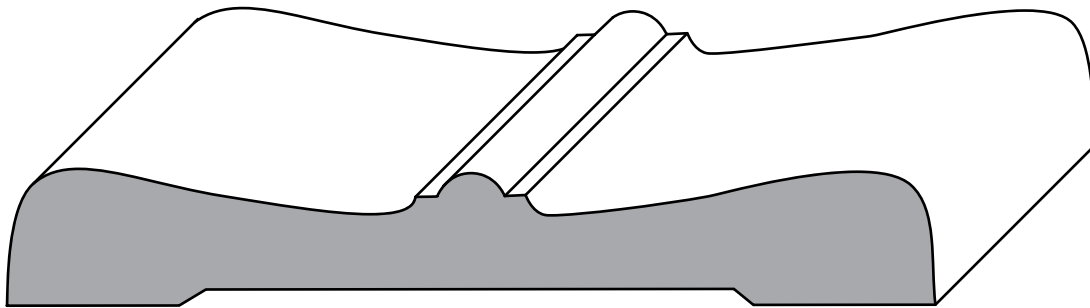


**10.** 3/4 x 4"  
20 x 102 mm

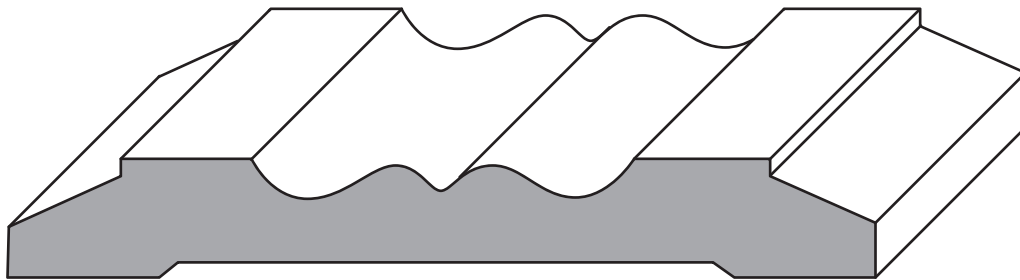




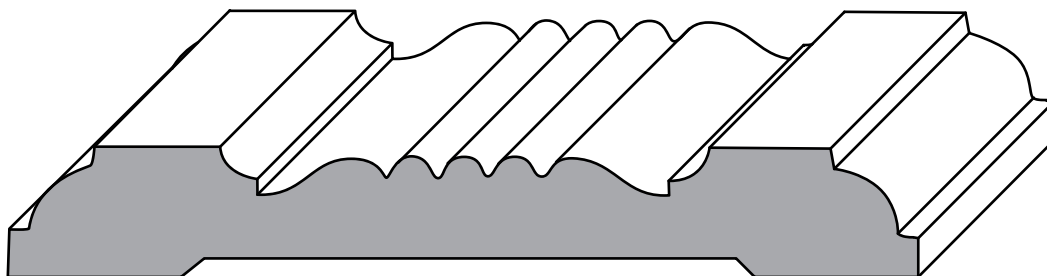
**6.** 11/16 x 4 1/2"  
18 x 114 mm



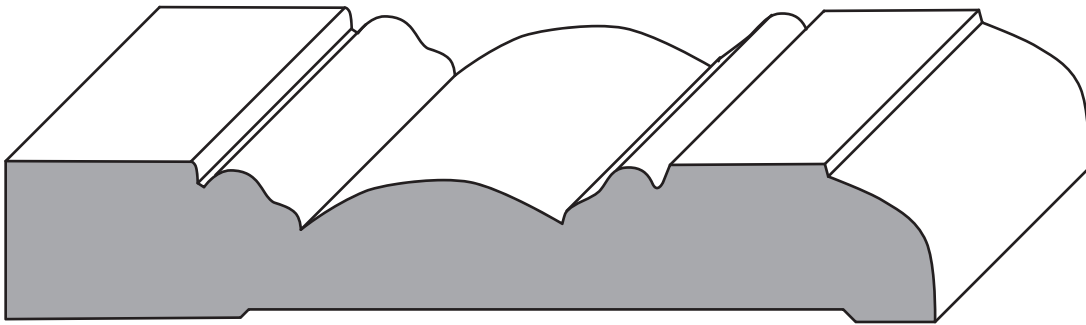
**11.** 13/16 x 4 13/16"  
21 x 123 mm



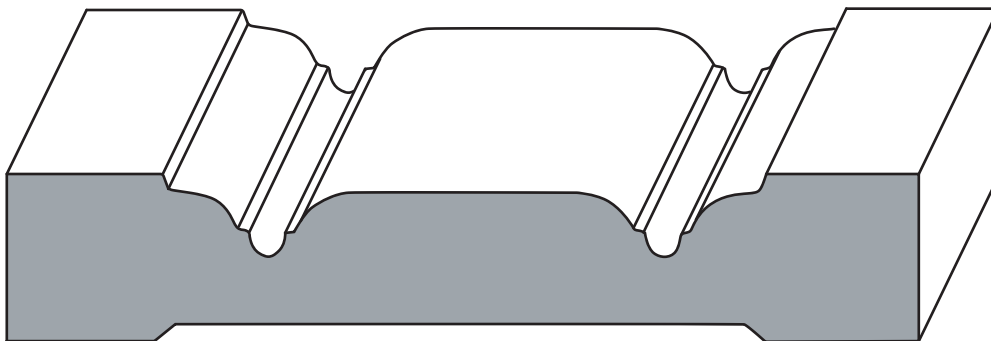
**12.** 3/4 x 4 1/2"  
20 x 115 mm



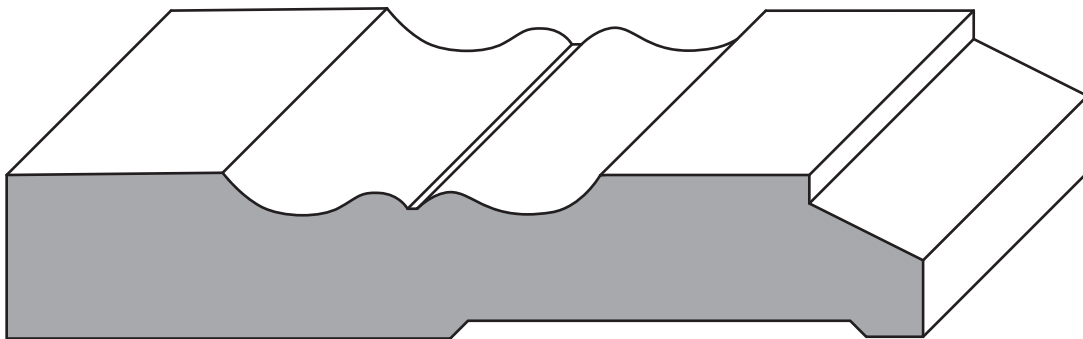
**13.** 11/16 x 4 3/4"  
18 x 121 mm



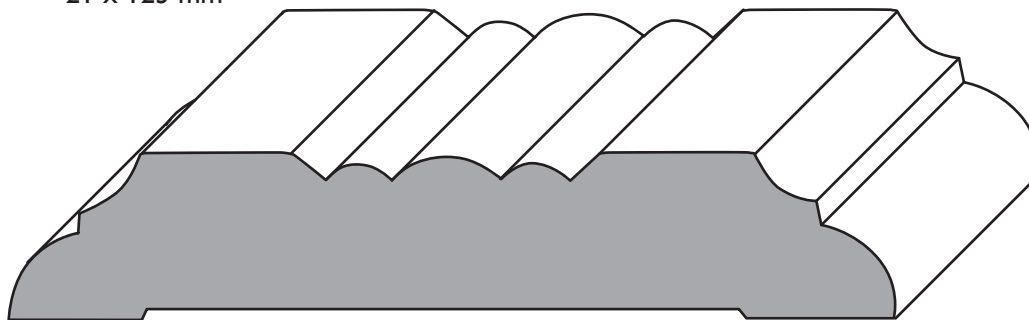
**15.** 13/16 x 4 7/8"  
21 x 123 mm



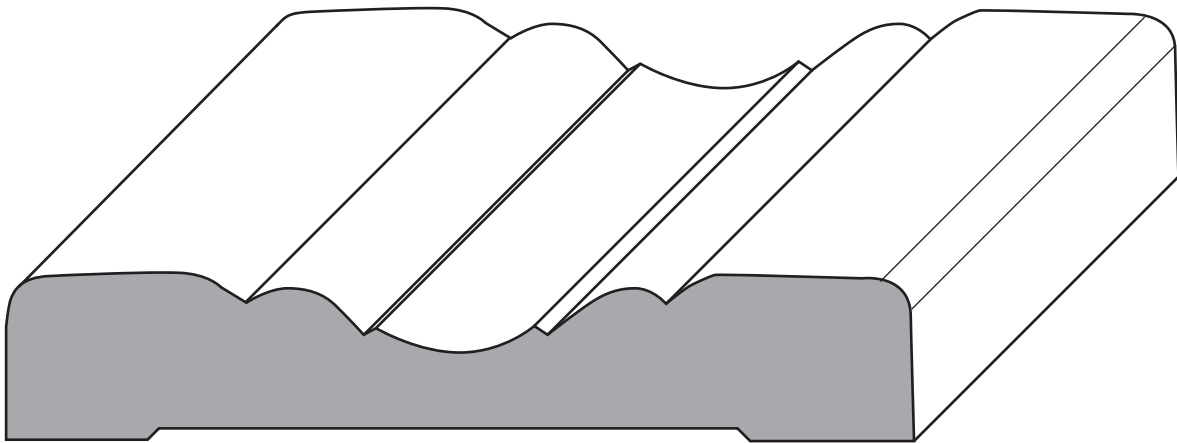
**17.** 5/8 x 2 1/4"  
16 x 57 mm



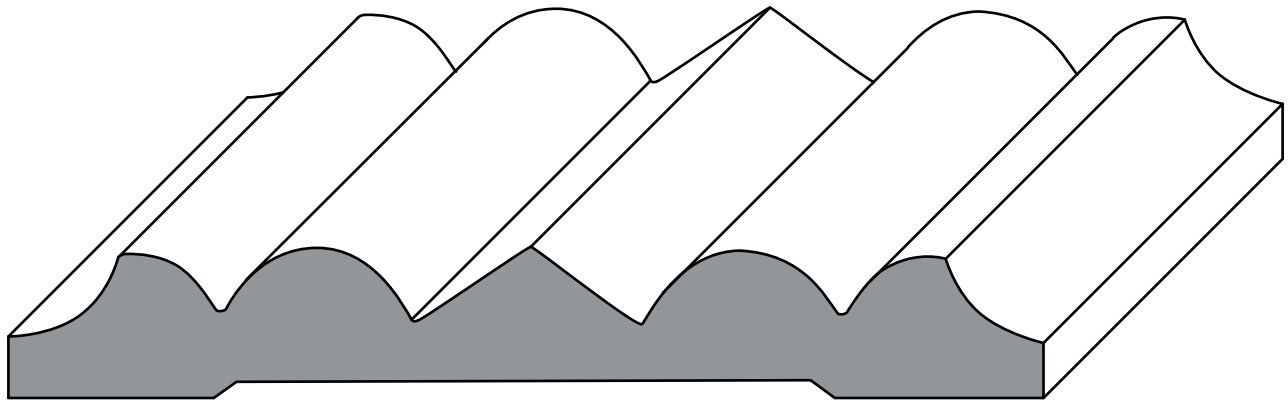
**19.** 13/16 x 4 3/4"  
21 x 123 mm



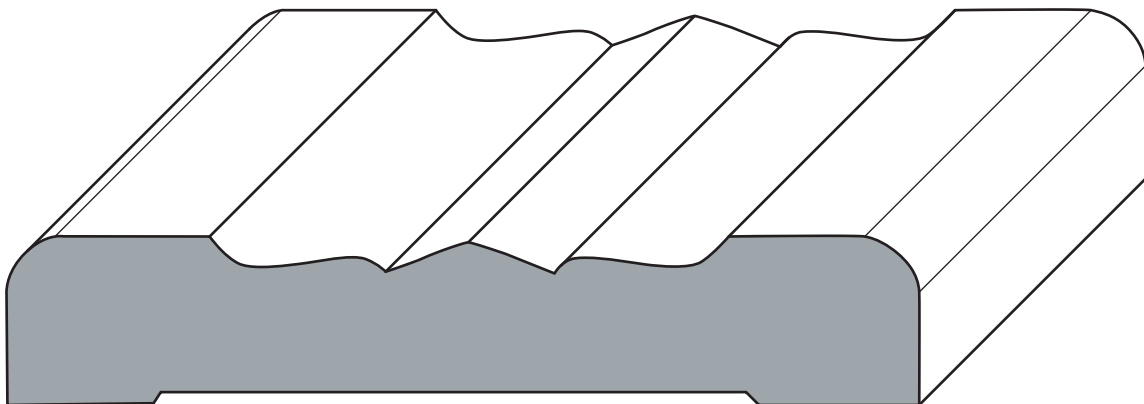
**25.** 7/8 x 4 5/8"  
21 x 117 mm



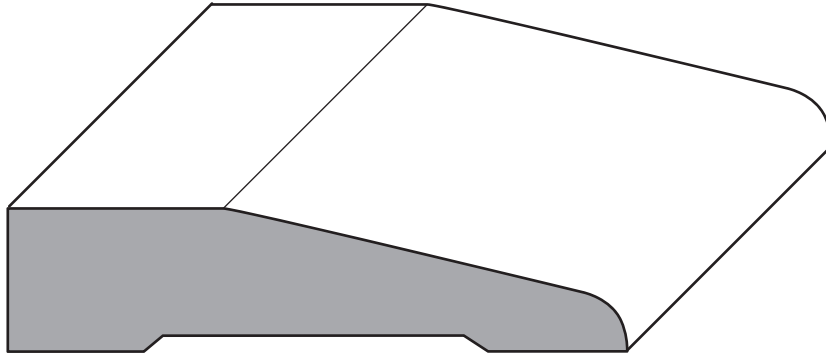
**27.** 7/8 x 4 3/4"  
22 x 120 mm



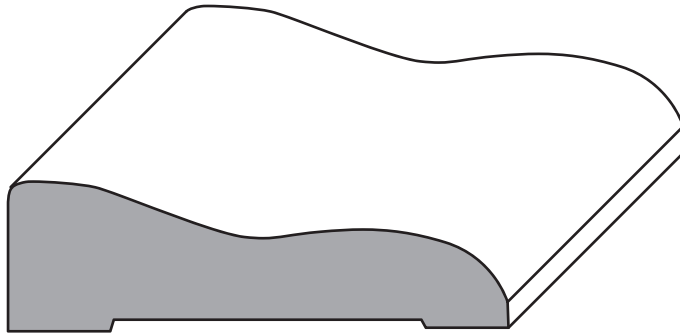
**950.** 3/4 x 5 7/16"  
20 x 137mm



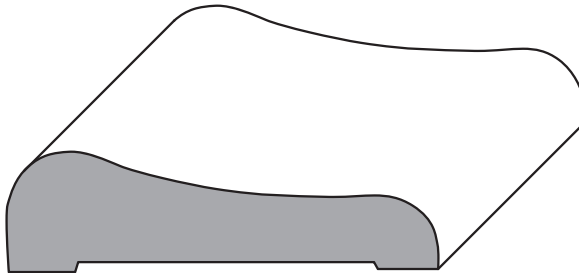
**40.** 7/8 x 4 3/4"  
22 x 121 mm



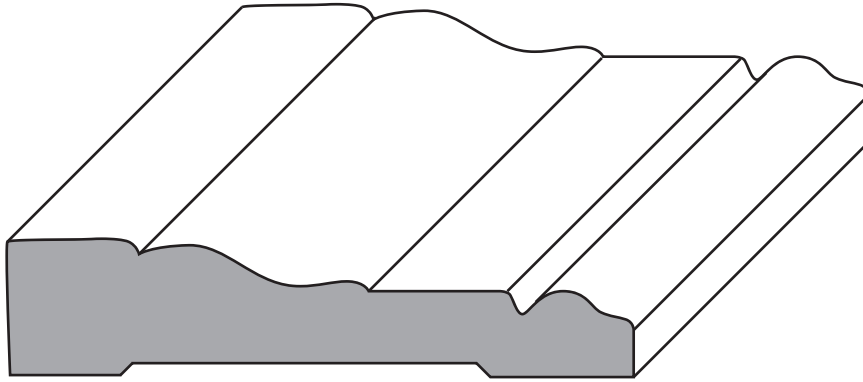
**16.** 3/4 x 3 1/4"  
20 x 83 mm



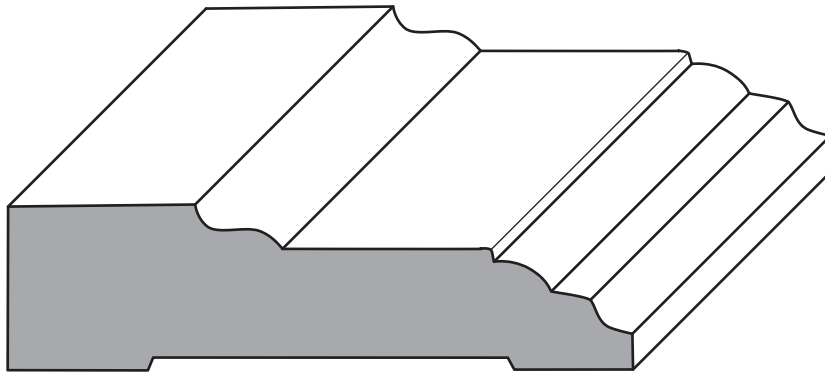
**38.** 3/4 x 2 5/8"  
20 x 66 mm



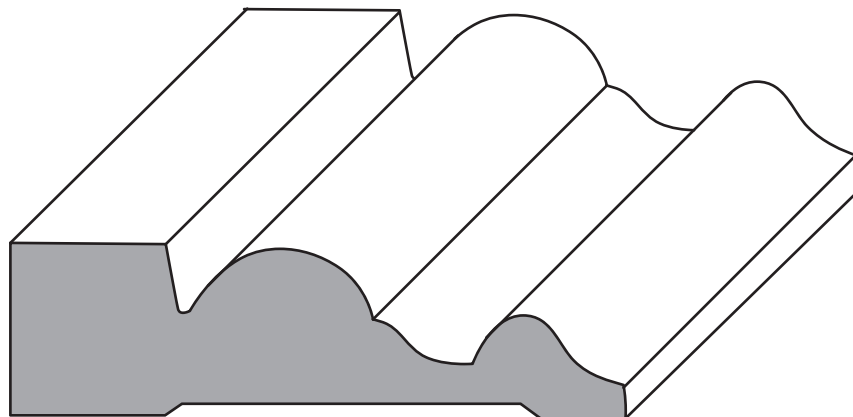
**39.** 5/8 x 2 1/4"  
16 x 57 mm



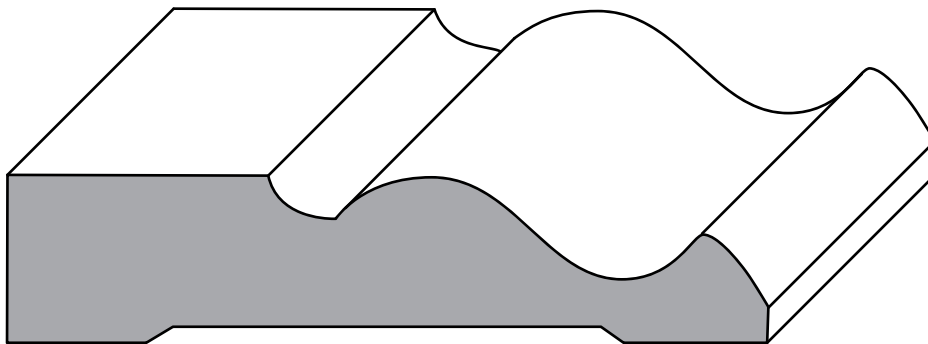
**18.** 1 1/16" x 3 1/4"  
18 x 83 mm



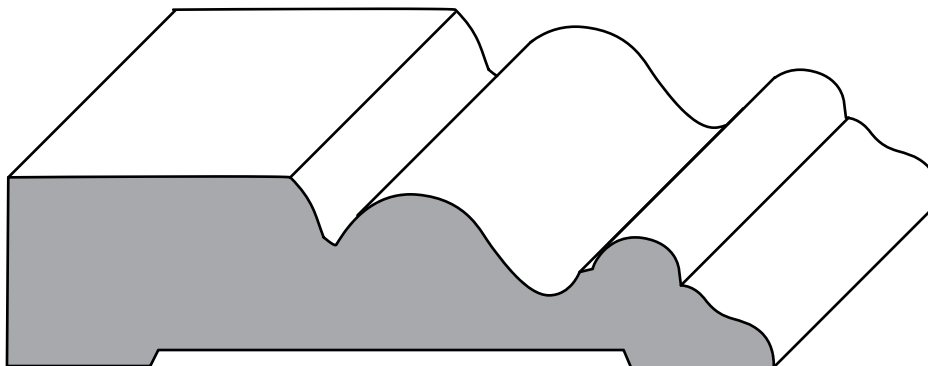
**36.** 7/8" x 3 1/4"  
22 x 83 mm



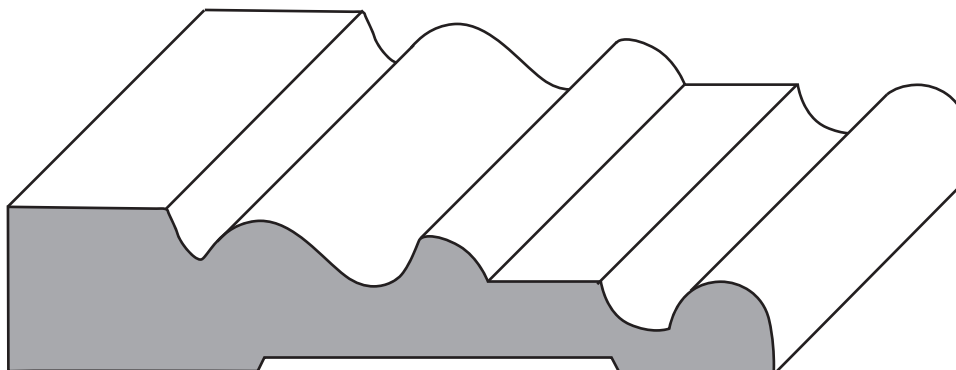
**37.** 7/8" x 3 1/4"  
22 x 83 mm



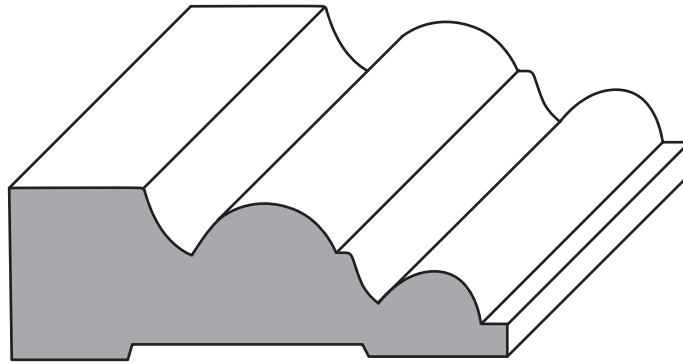
**21.** 7/8 x 4"  
22 x 102 mm



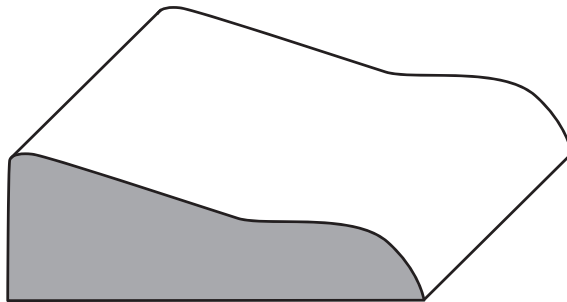
**22.** 1 x 4"  
25 x 102 mm



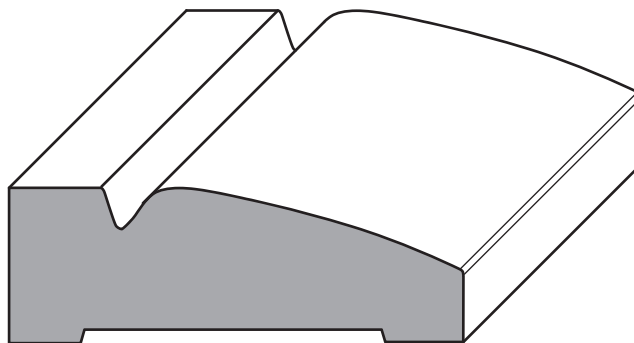
**23.** 7/8 x 4"  
21 x 102 mm



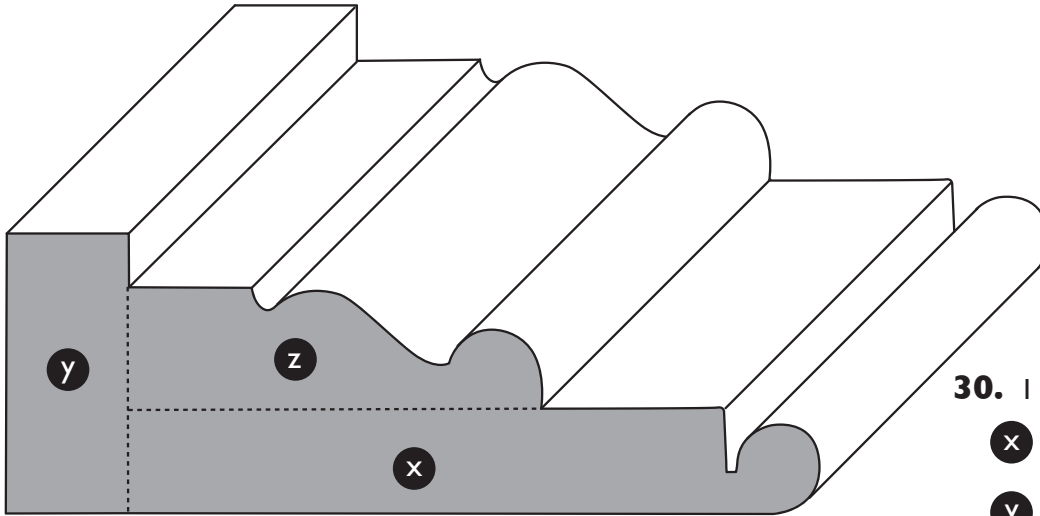
**24.** 7/8 x 2 5/8"  
21 x 66 mm



**26.** 3/4 x 2 1/8"  
20 x 55 mm

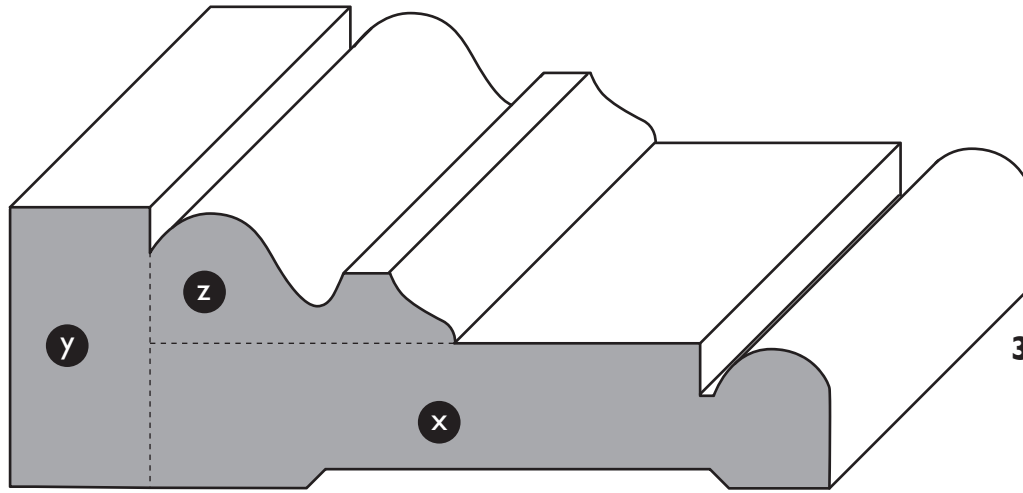


**28.** 7/8 x 2 3/8"  
22 x 60 mm



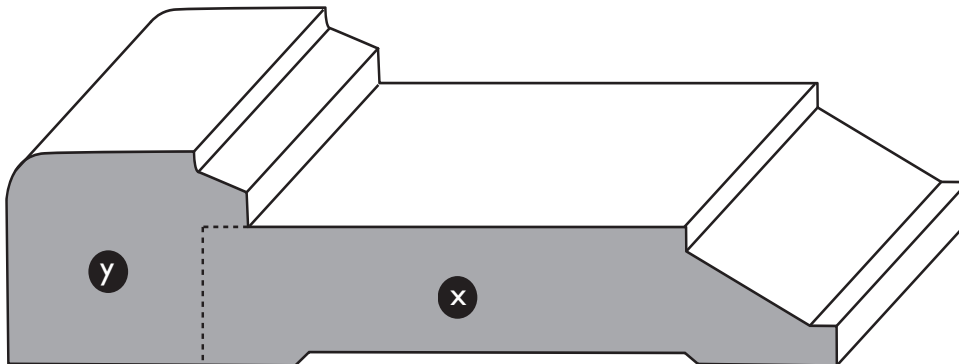
- 30.** 1 1/2 x 4 1/4"
- x** 5/8 x 4 3/16"  
19 x 64 mm
  - y** 3/4 x 1 3/4"  
19 x 45 mm
  - z** 3/4 x 2 1/2"  
19 x 64 mm





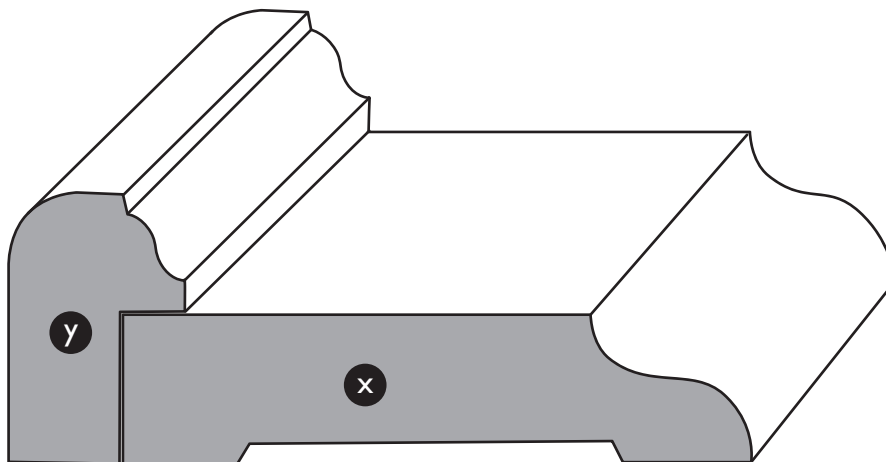
**33.**  $1\ 1/2 \times 4\ 1/4''$

- x**  $3/4 \times 3\ 1/2''$   
19 x 89 mm
- y**  $3/4 \times 1\ 1/2''$   
19 x 38 mm
- z**  $3/4 \times 1\ 5/8''$   
19 x 41 mm



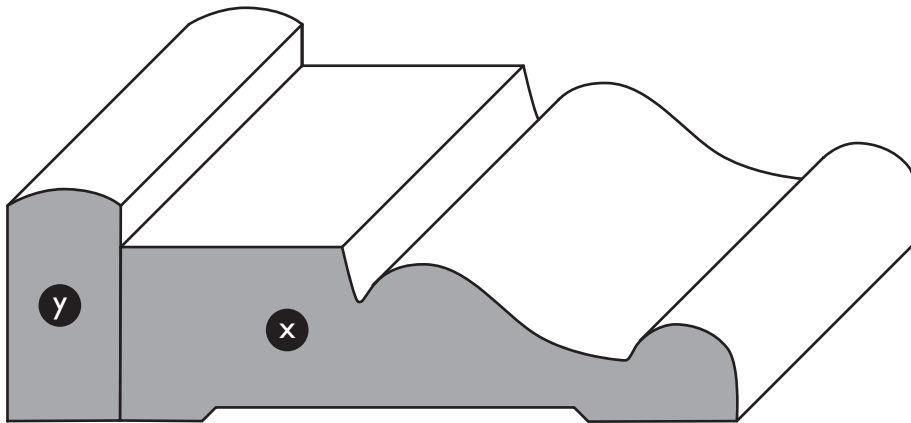
**34.**  $1 \times 4\ 7/16''$

- x**  $3/4 \times 3\ 1/2''$   
19 x 89 mm
- y**  $1\ 1/8 \times 1\ 3/8''$   
29 x 35 mm



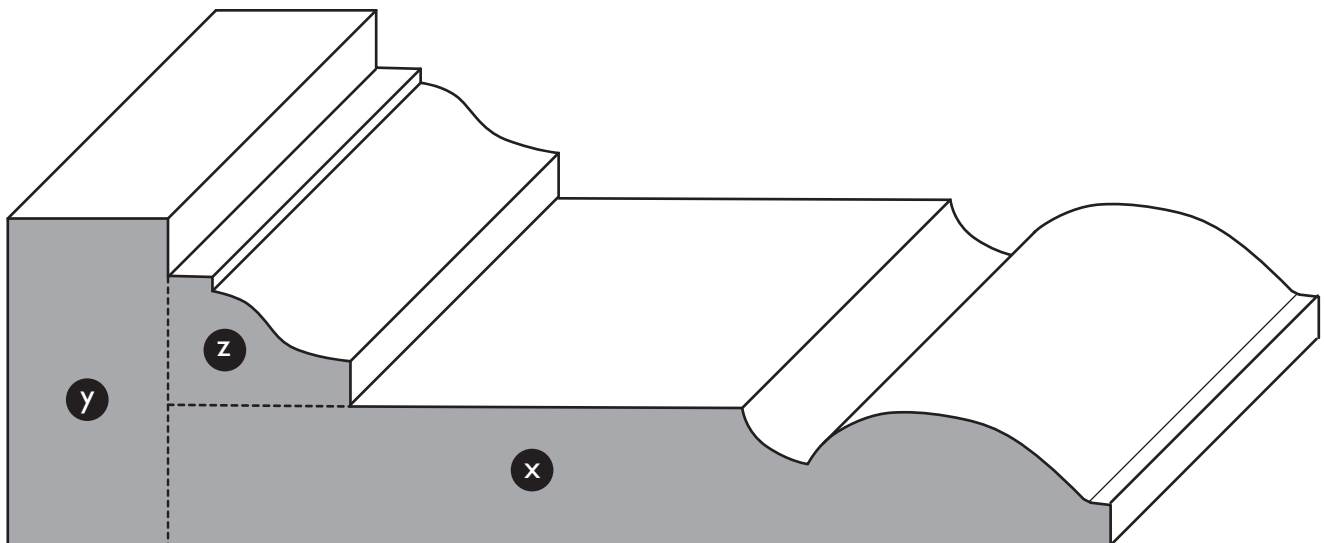
**35.**  $1\ 7/16 \times 3\ 7/8''$

- x**  $13/16 \times 3\ 1/4''$   
21 x 82 mm
- y**  $7/8 \times 1\ 7/16''$   
22 x 38 mm



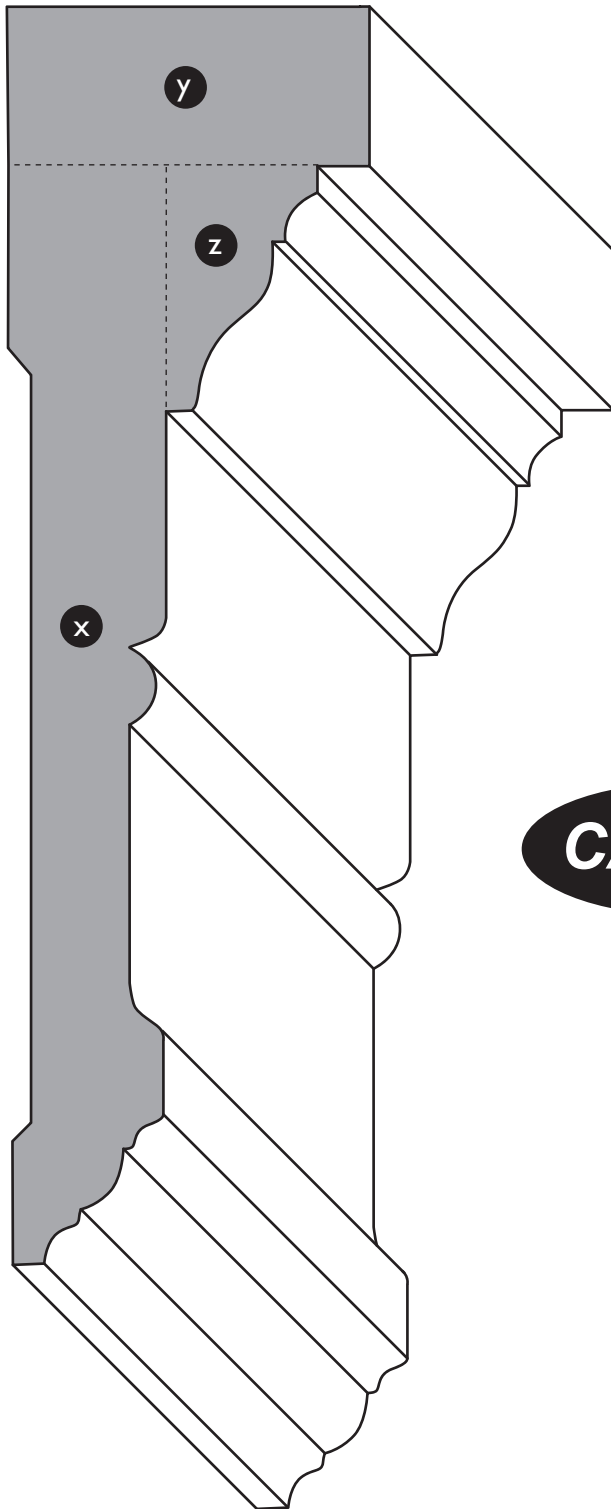
**503.** 3 7/8 x 1 3/16"

- x** 3/4 x 3 1/4"  
20 x 83 mm
- y** 5/8 x 1 3/16"  
16 x 31 mm



**20.** 1 3/4 x 5 3/4"

- x** 3/4 x 4 7/8"  
19 x 124 mm
- y** 7/8 x 1 3/4"  
22 x 44 mm
- z** 11/16 x 15/16"  
18 x 24 mm

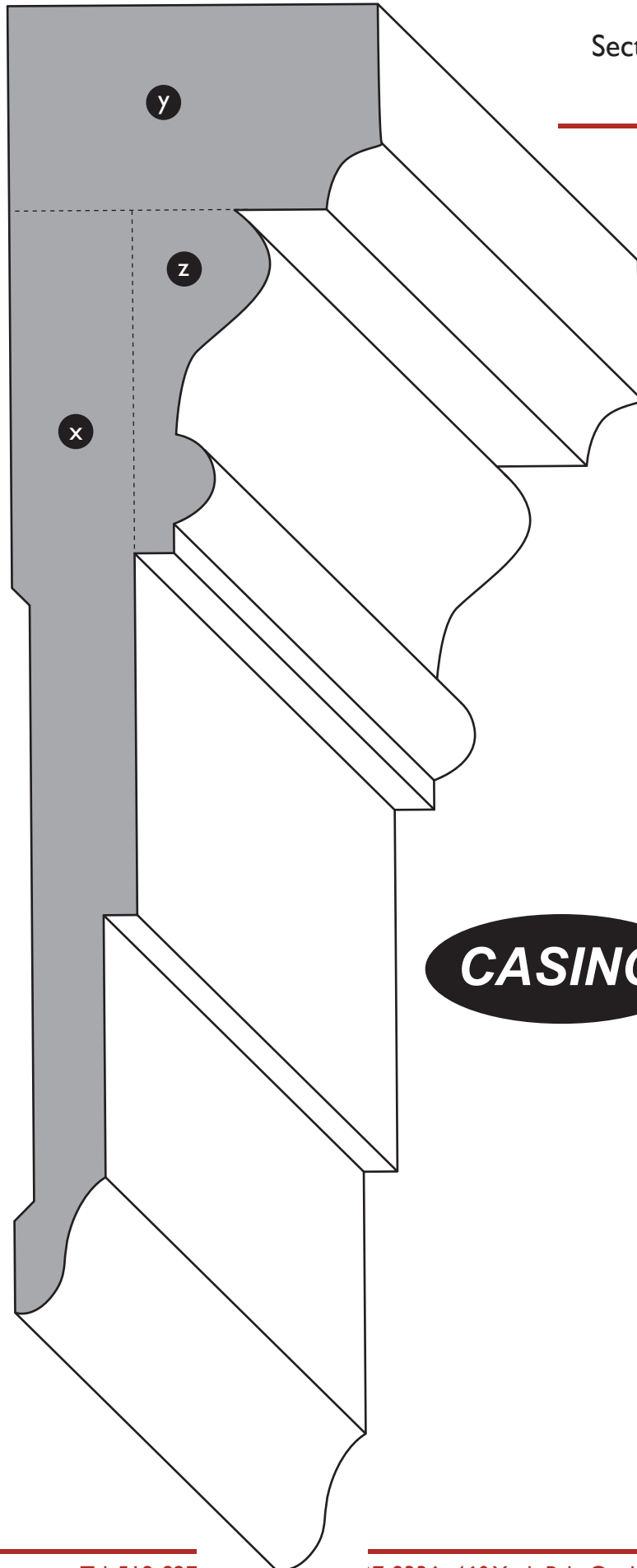


**31\***. 1 7/8 x 6 1/2"

- ⊗ 3/4 x 5 3/4"  
20 x 145 mm
- ⊙ 7/8 x 1 11/16"  
22 x 42 mm
- ⊗ 3/4 x 2 5/16"  
20 x 33 mm

**CASING**

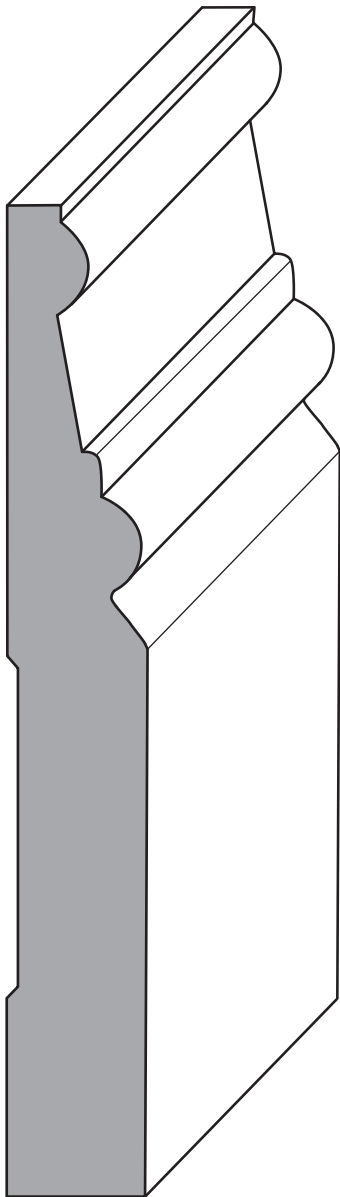
Recommend Base #51



**32.** 2 3/8 x 8 1/4" 60 x 209 mm

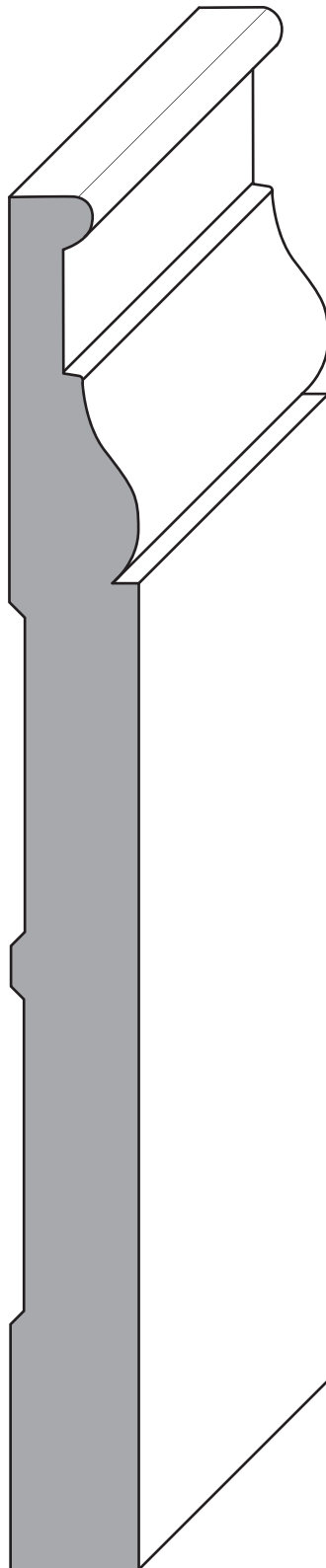
- x** 3/4 x 6 15/16"  
20 x 177 mm
- y** 1 1/4 x 2 1/4"  
32 x 57 mm
- z** 2 11/16 x 2 5/16"  
21 x 55 mm

**CASING**

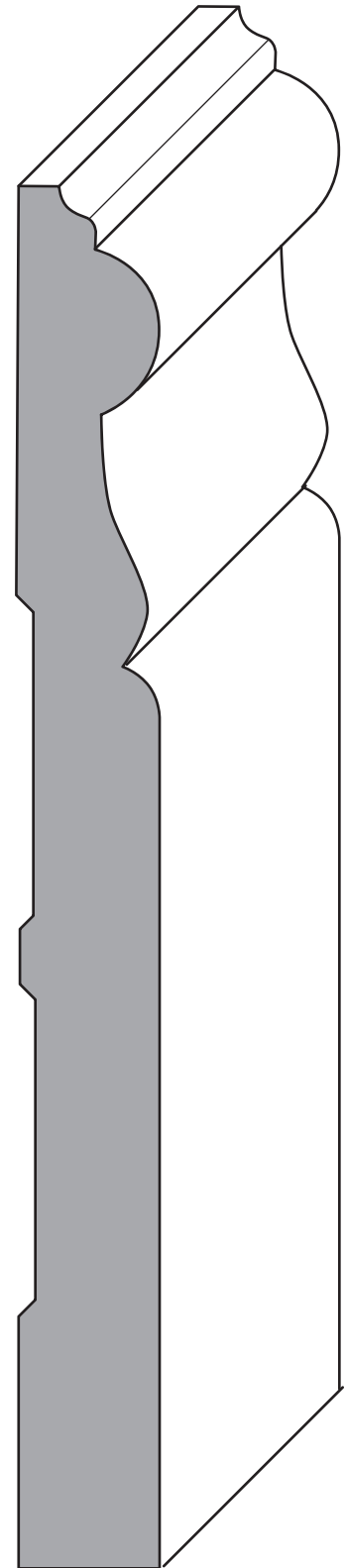


**55 a.** 3/4 x 5 1/4"  
19 x 134 mm

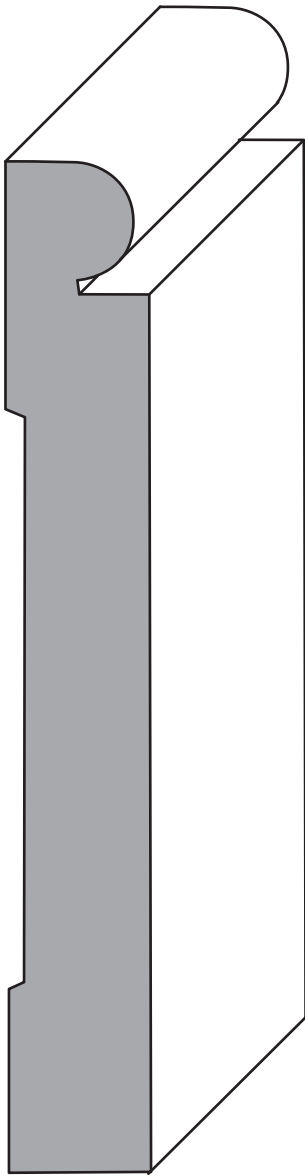
**55 b.** 3/4 x 7 1/4"  
19 x 185 mm



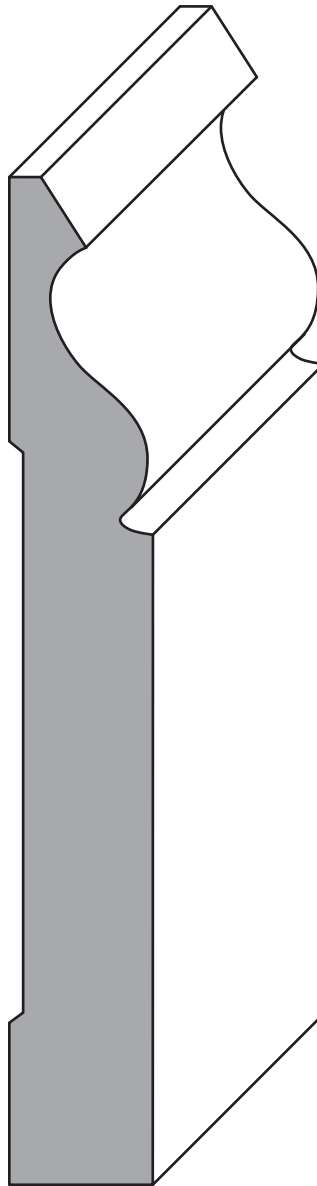
**BAS7A1** 1 1/16 x 7 1/4"  
18 x 185 mm



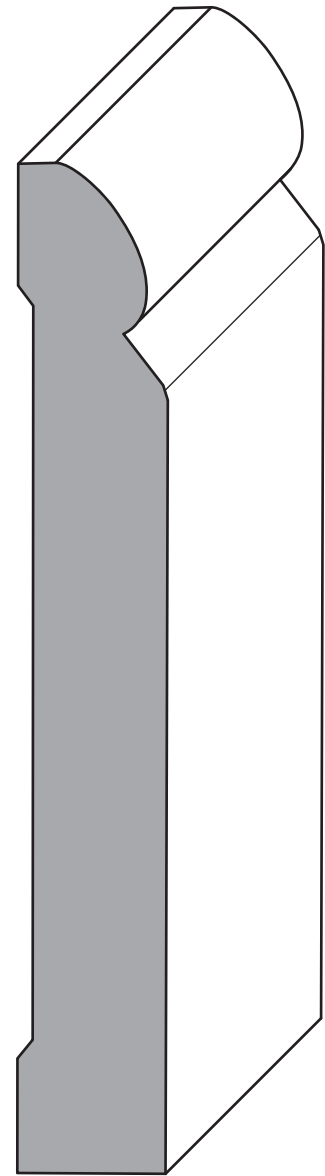
**BAS785** 1 1/16 x 7 1/4"  
18 x 185 mm



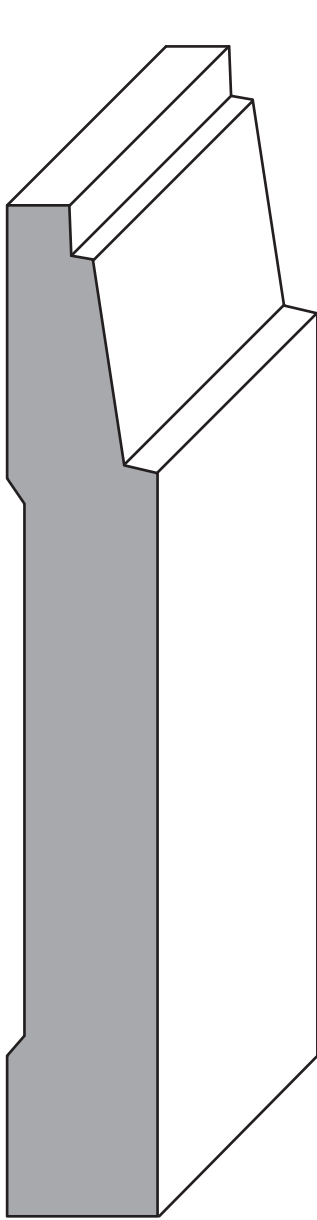
**41 a.** 3/4 x 5 1/4"  
19 x 134 mm  
**41 b.** 3/4 x 7 1/4"  
19 x 185 mm



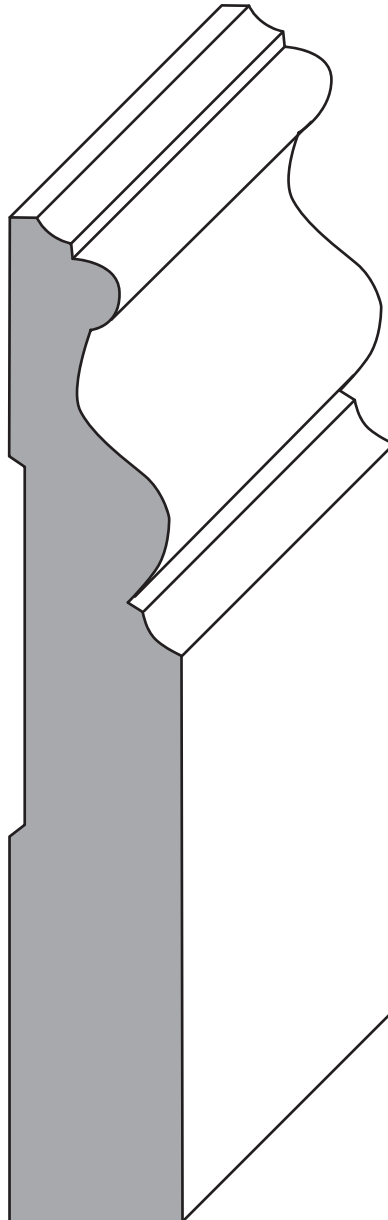
**43 a.** 3/4 x 5 1/4"  
19 x 134 mm  
**43 b.** 3/4 x 7 1/4"  
19 x 185 mm



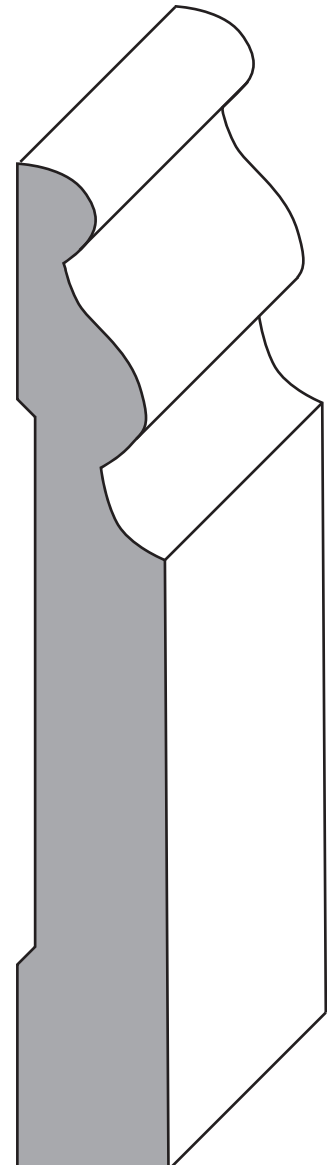
**44 a.** 3/4 x 5 1/4"  
19 x 134 mm  
**44 b.** 3/4 x 7 1/4"  
19 x 185 mm



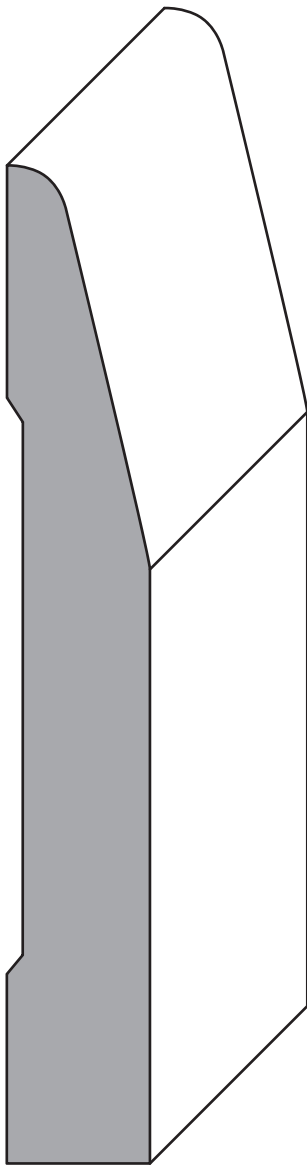
**42 a.** 3/4 x 5 1/4"  
19 x 134 mm  
**42 b.** 3/4 x 7 1/4"  
19 x 185 mm



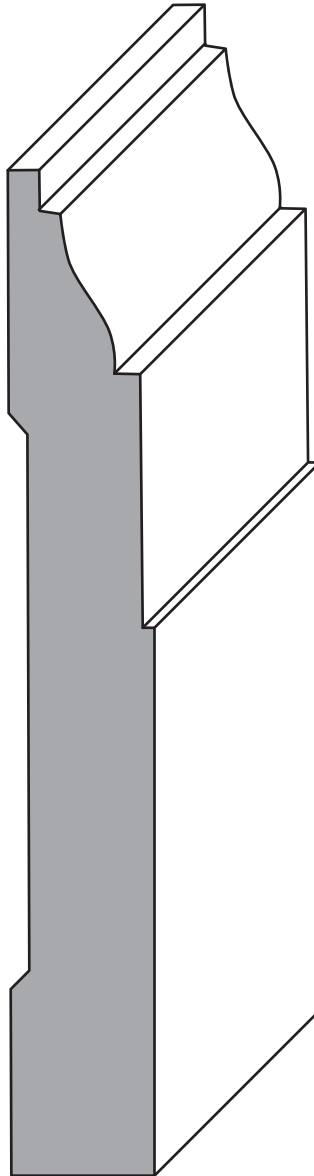
**60 a.** 7/8 x 5 1/4"  
22 x 134 mm  
**60 b.** 7/8 x 7 1/4"  
22 x 185 mm



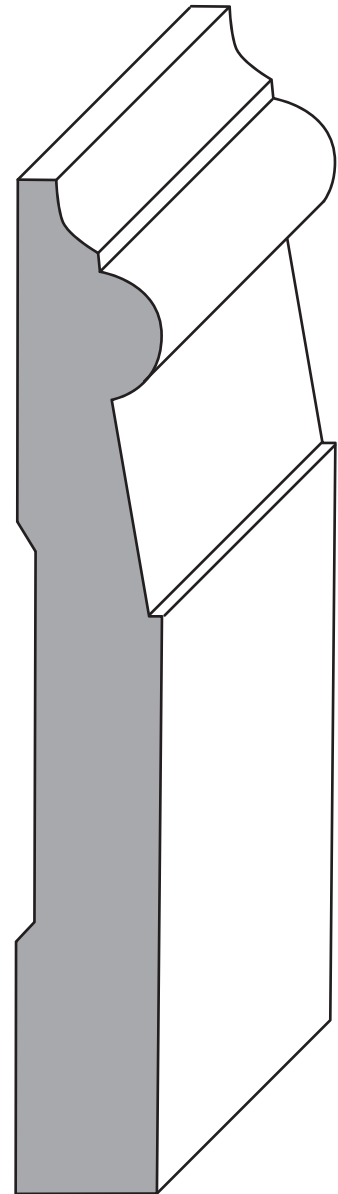
**45 a.** 3/4 x 5 1/4"  
19 x 134 mm  
**45 b.** 3/4 x 7 1/4"  
19 x 185 mm



**46 a.** 3/4 x 5 1/4"  
19 x 134 mm  
**46 b.** 3/4 x 7 1/4"  
19 x 185 mm

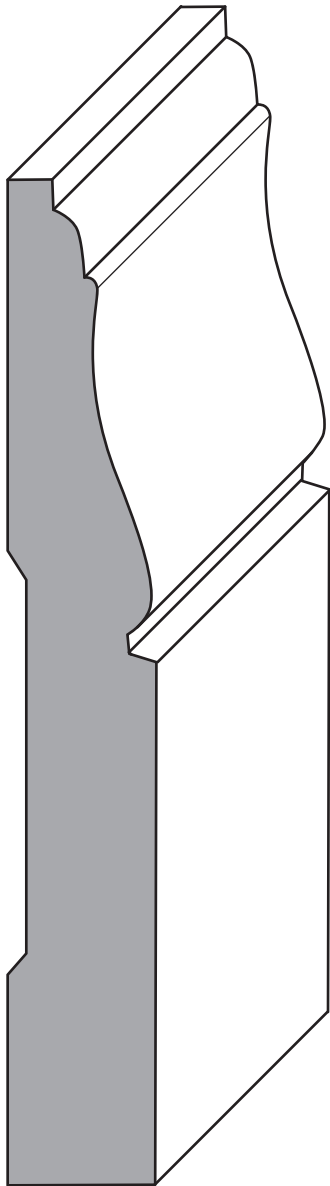


**47 a.** 3/4 x 5 1/4"  
19 x 134 mm  
**47 b.** 3/4 x 7 1/4"  
19 x 185 mm

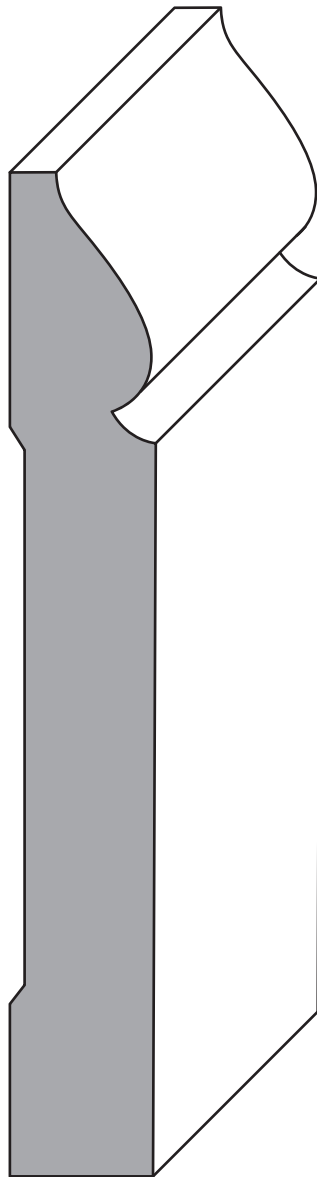


**48 a.** 3/4 x 5 1/4"  
19 x 134 mm  
**48 b.** 3/4 x 7 1/4"  
19 x 185 mm

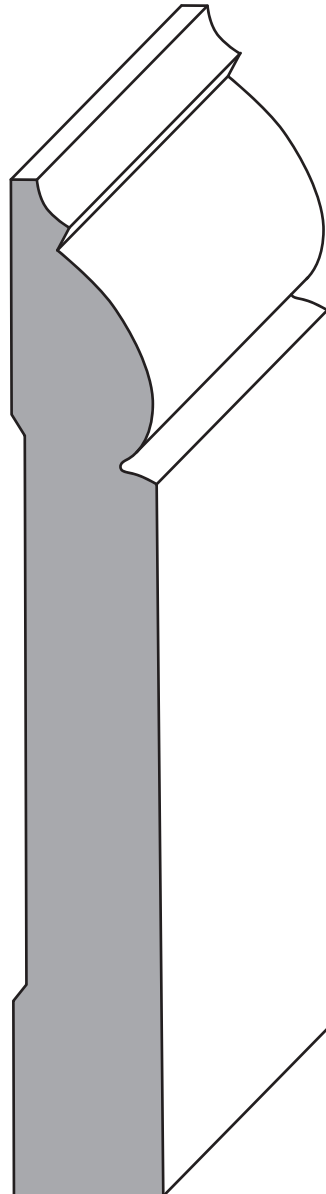




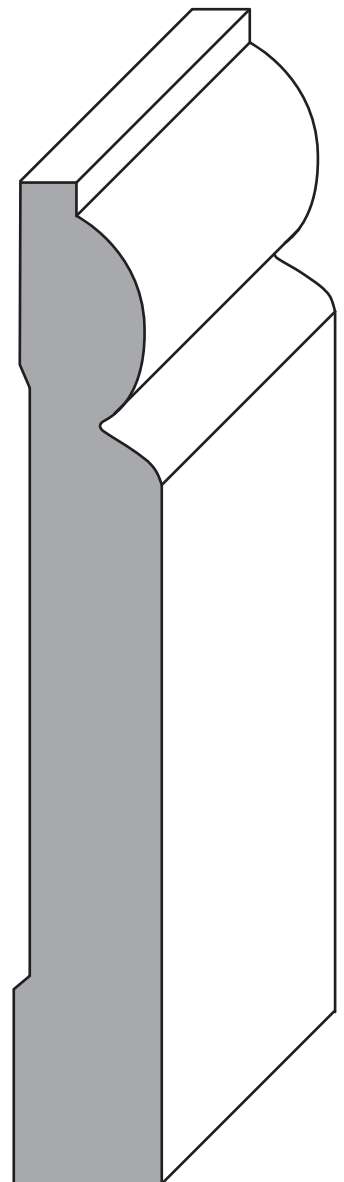
**49 a.** 3/4 x 5 1/4"  
19 x 134 mm  
**49 b.** 3/4 x 7 1/4"  
19 x 185 mm



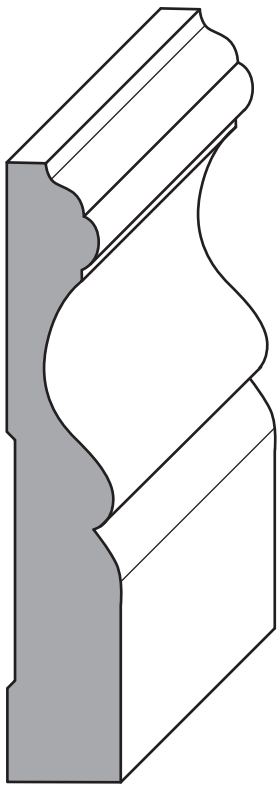
**50 a.** 3/4 x 5 1/4"  
19 x 134 mm  
**50 b.** 3/4 x 7 1/4"  
19 x 185 mm



**51 a.** 7/8 x 5 1/4"  
22 x 134 mm  
**51 b.** 7/8 x 7 1/4"  
22 x 185 mm

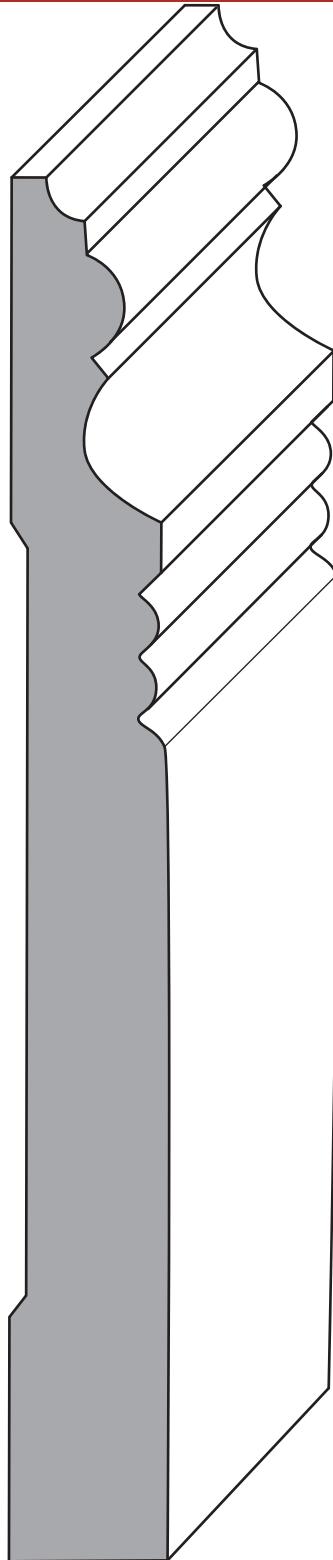


**56 a.** 3/4 x 5 1/4"  
19 x 134 mm  
**56 b.** 3/4 x 7 1/4"  
19 x 185 mm



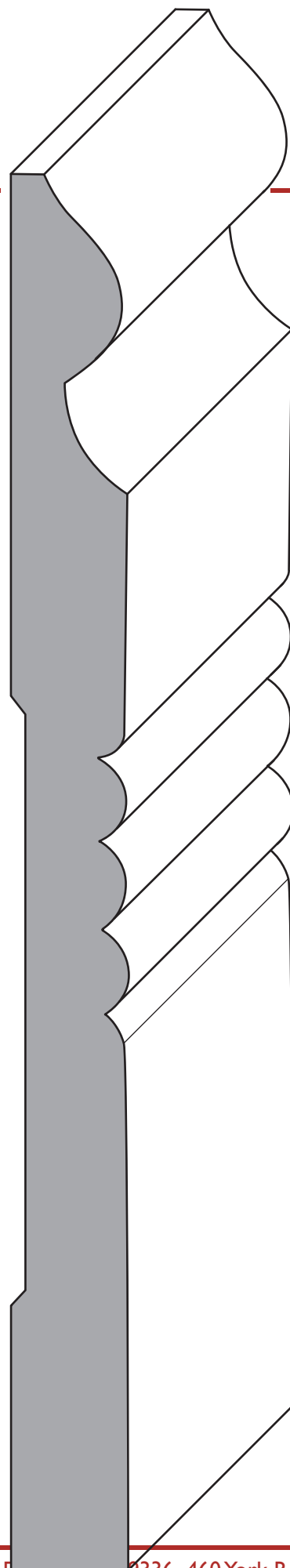
**BAS334** 5/8 x 3 1/4"

Available in Poplar  
finger-joined, Primed!



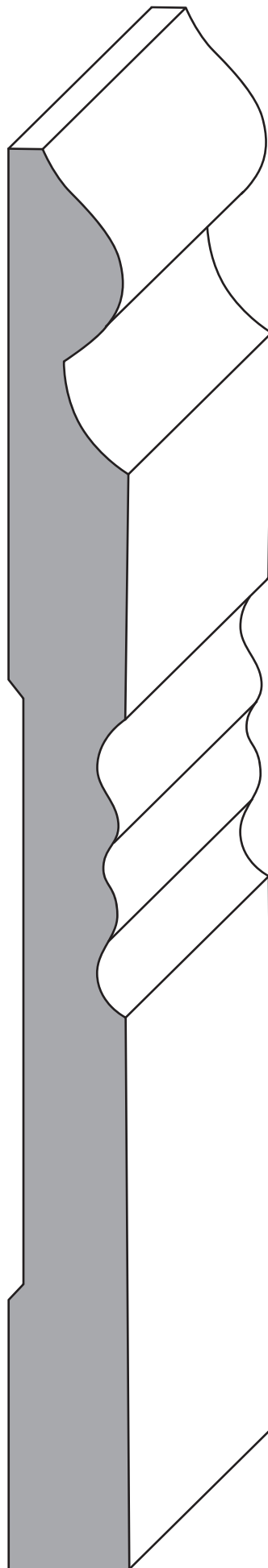
**52 a.** 3/4 x 5 1/4"  
19 x 134 mm

**52 b.** 3/4 x 7 1/4"  
19 x 185 mm



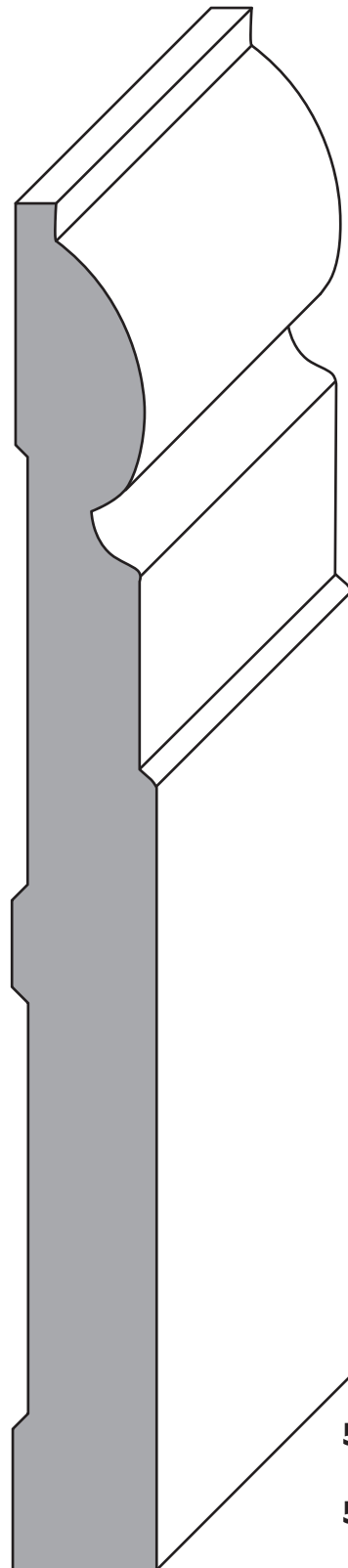
**53 a.** 3/4 x 9 1/4"  
19 x 235 mm

**53 b.** 3/4 x 7 1/4"  
19 x 185 mm



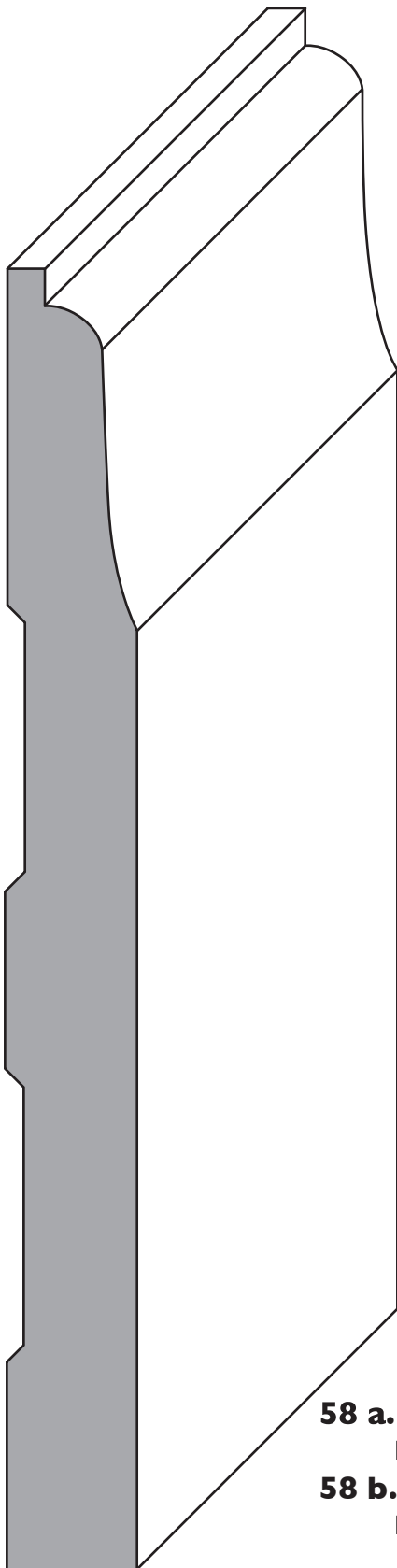
**54 a.** 3/4 x 9 1/4"  
19 x 236 mm

**54 b.** 3/4 x 7 1/4"  
19 x 185 mm

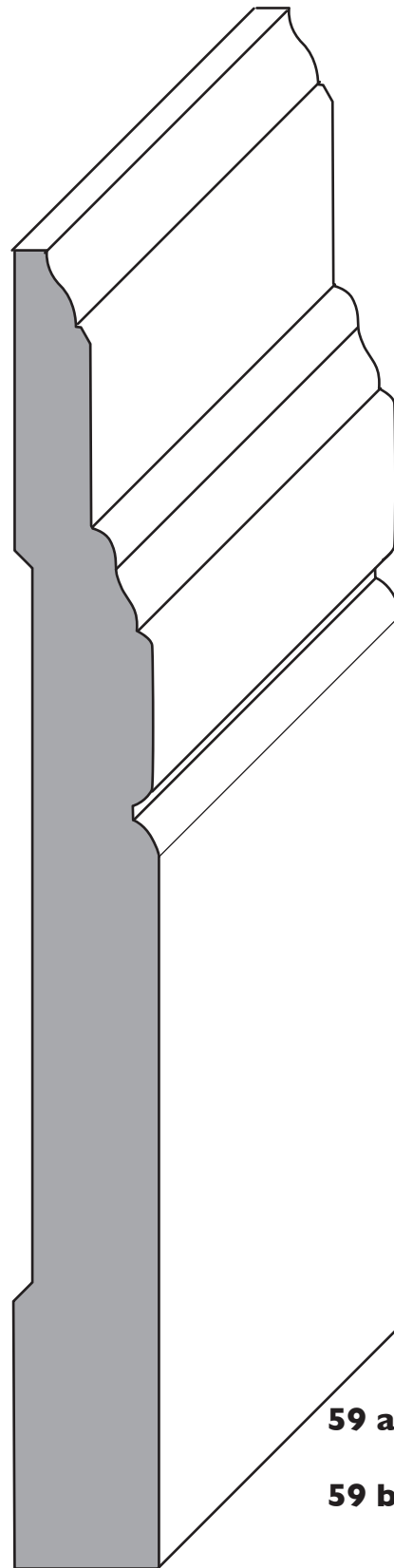


**57 a.** 3/4 x 5 1/4"  
19 x 134 mm

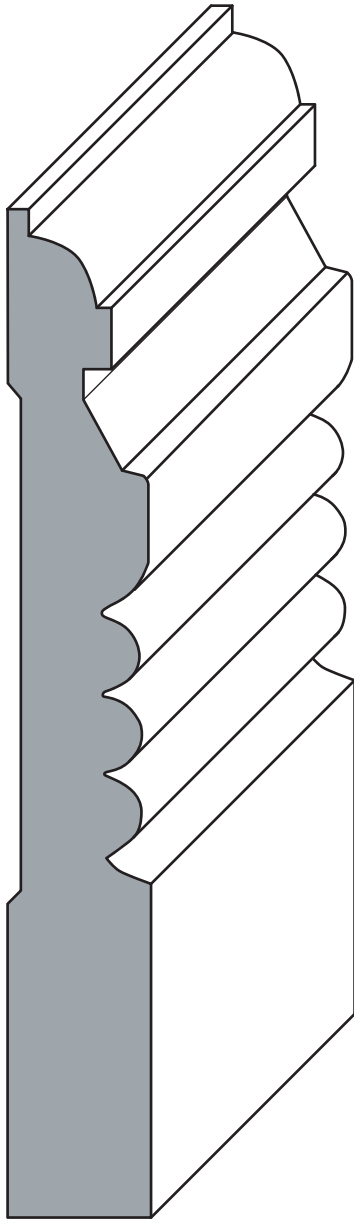
**57 b.** 3/4 x 7 1/4"  
19 x 185 mm



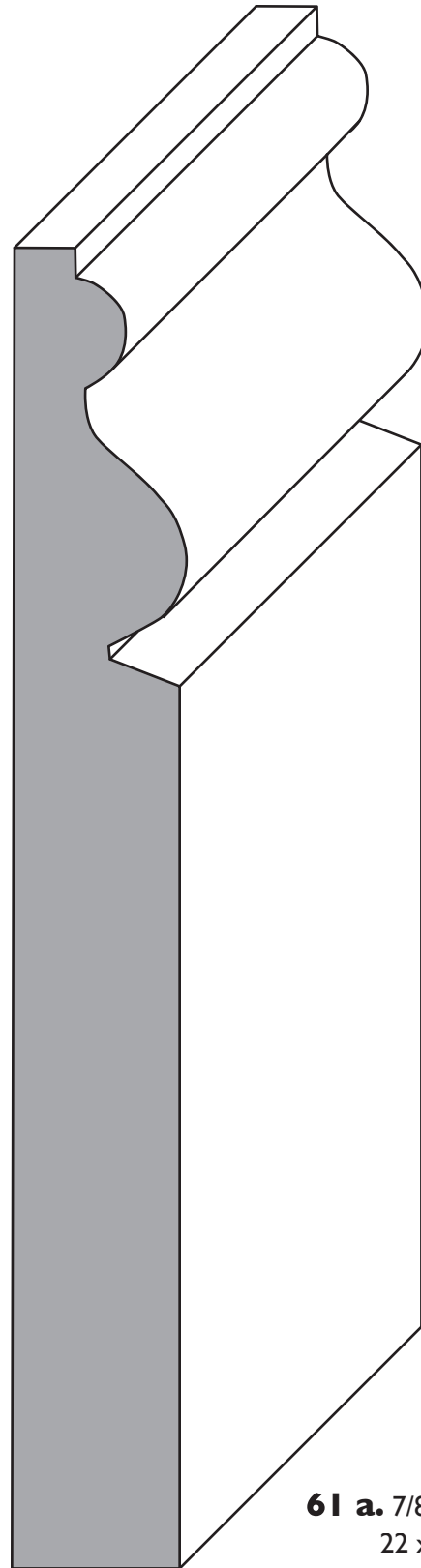
**58 a.** 3/4 x 5 1/4"  
19 x 134 mm  
**58 b.** 3/4 x 7 1/4"  
19 x 185 mm



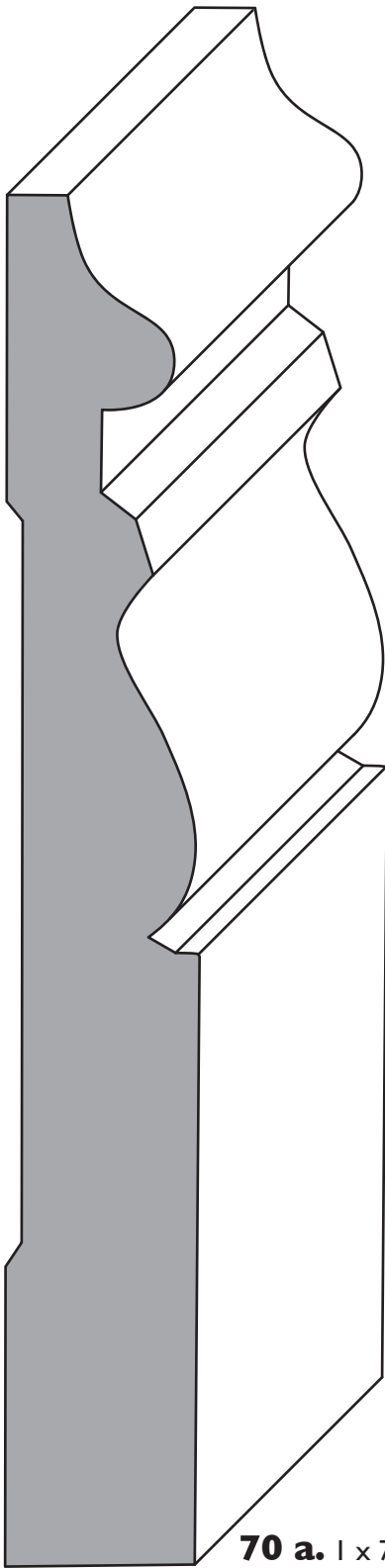
**59 a.** 3/4 x 5 1/4"  
19 x 134 mm  
**59 b.** 3/4 x 7 1/4"  
19 x 185 mm



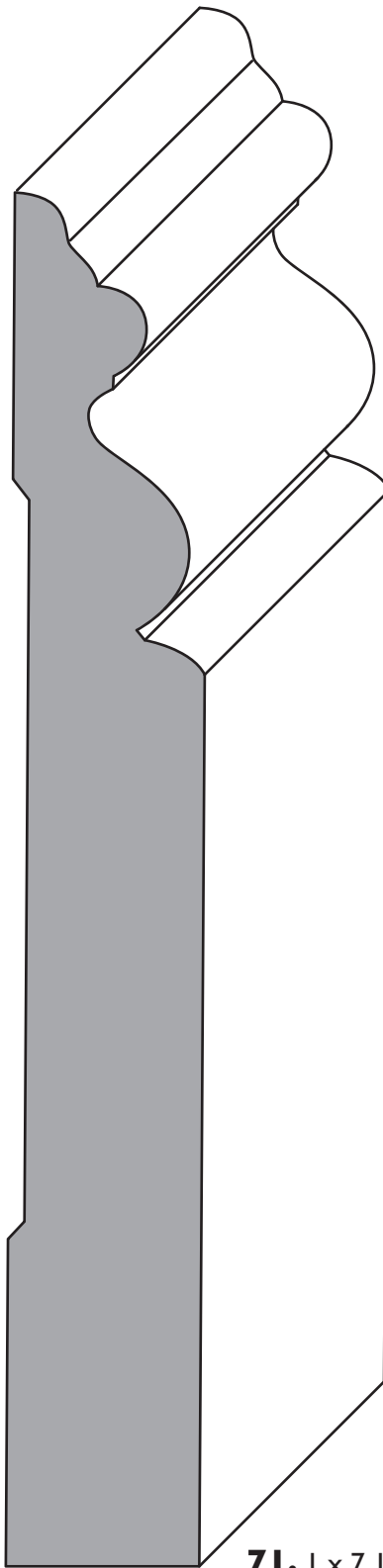
**73 a.** 3/4 x 5 1/4"  
19 x 134 mm  
**73 b.** 3/4 x 7 1/4"  
19 x 185 mm



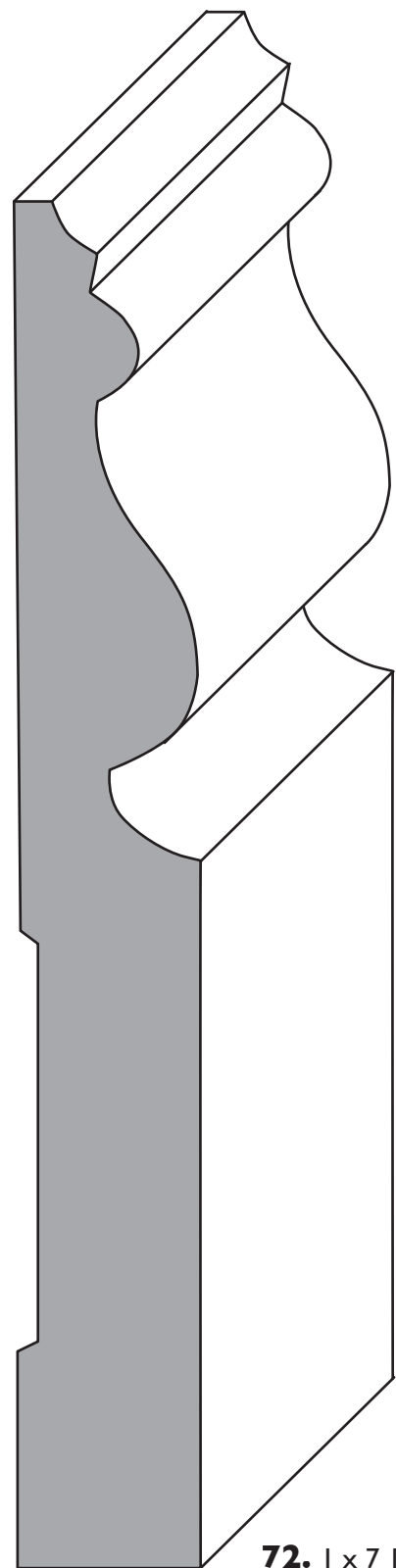
**61 a.** 7/8 x 5 1/4"  
22 x 134 mm  
**61 b.** 7/8 x 7 1/4"  
22 x 185 mm



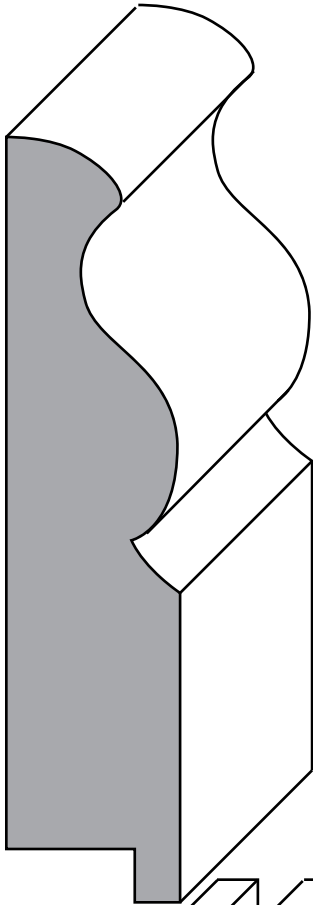
**70 a.** 1 x 7 1/4"  
25 x 185 mm  
**70 b.** 1 x 9 1/4"  
25 x 236 mm



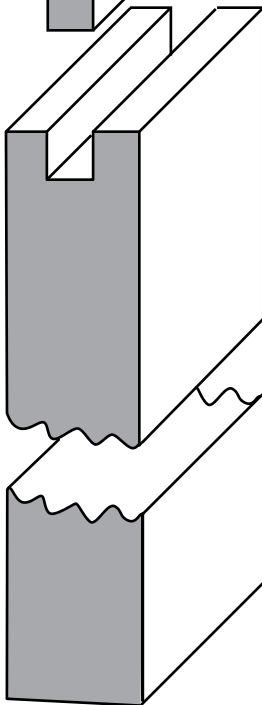
**71.** 1 x 7 1/4"  
25 x 185 mm



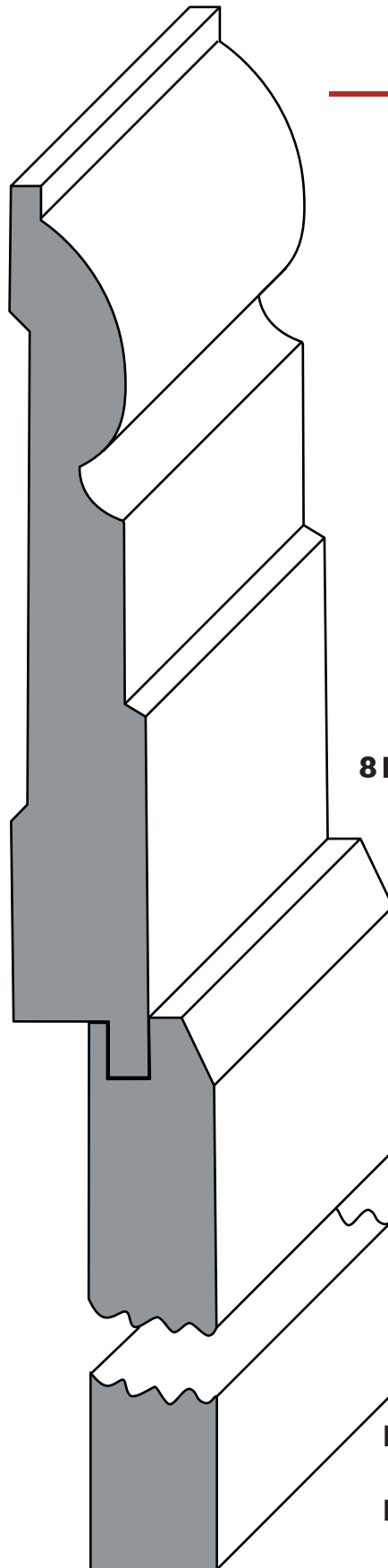
**72.** 1 x 7 1/4"  
25 x 185 mm



**80.** 1 x 4"  
25 x 102 mm



**190 a.** 3/4 x 5 1/4"  
19 x 134 mm  
**190 b.** 3/4 x 7 1/4"  
19 x 185 mm



**81.** 1 x 4"  
25 x 102 mm

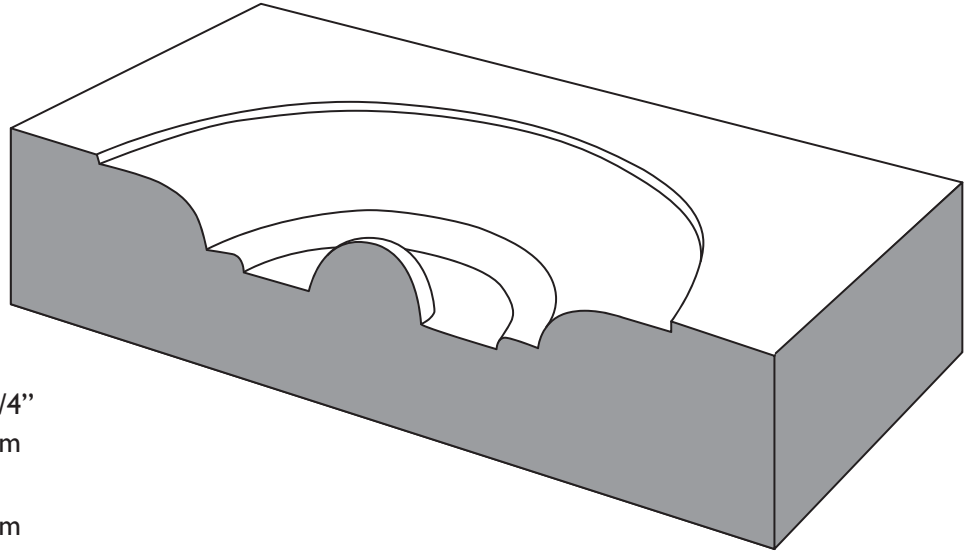
**191 a.** 3/4 x 5 1/4"  
19 x 134 mm  
**191 b.** 3/4 x 7 1/4"  
19 x 185 mm

# OLD WORLD

WOODWORKING & MILLWORK INC.

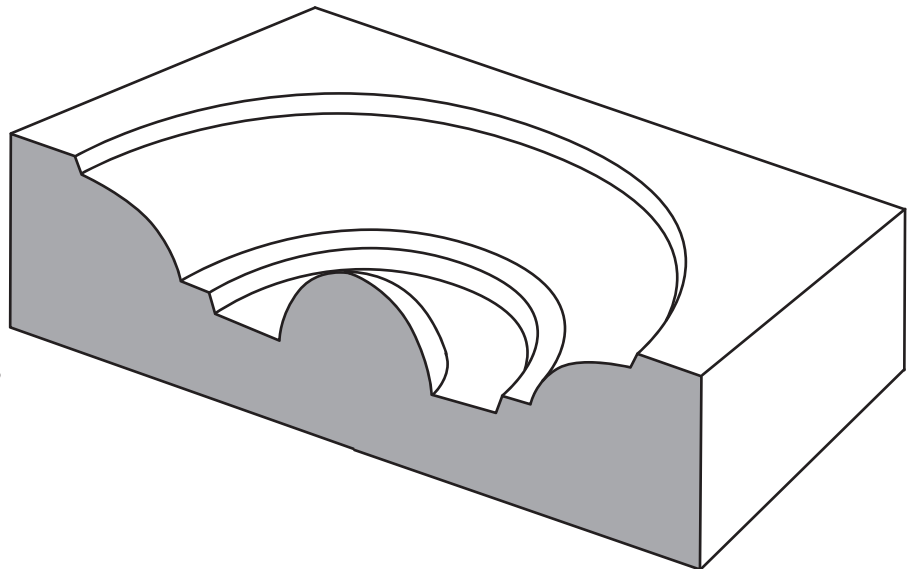
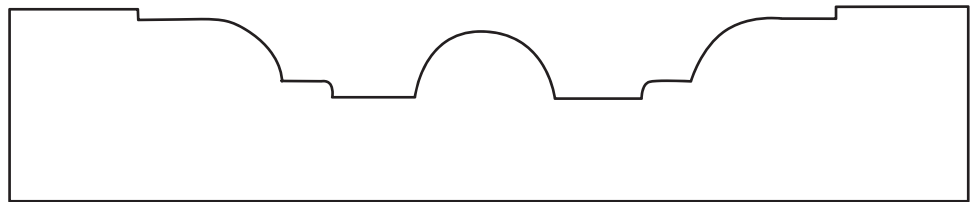
---





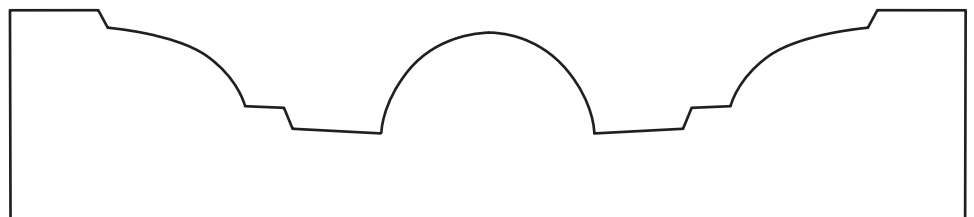
**I43 a** . 1 x 4 1/4 x 4 1/4"  
25 x 108 x 108 mm

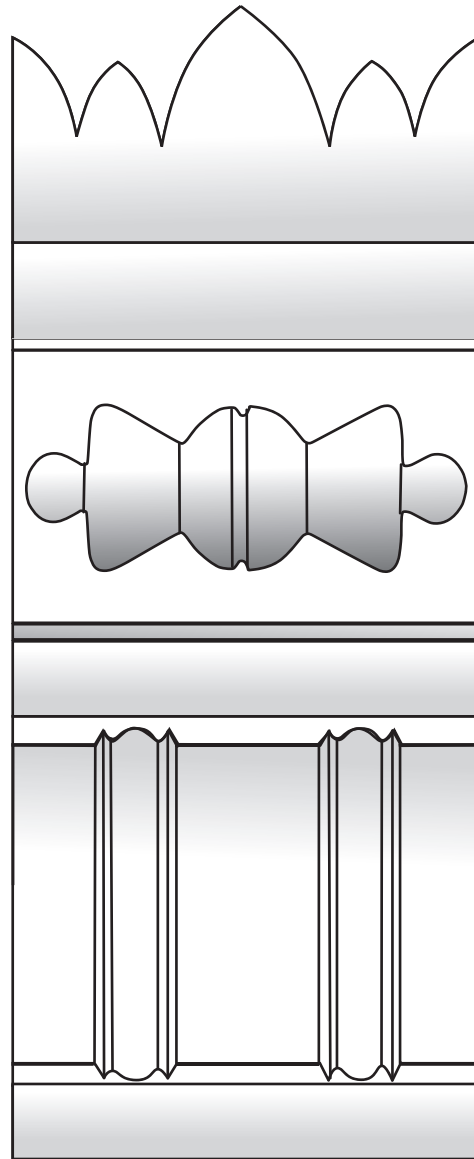
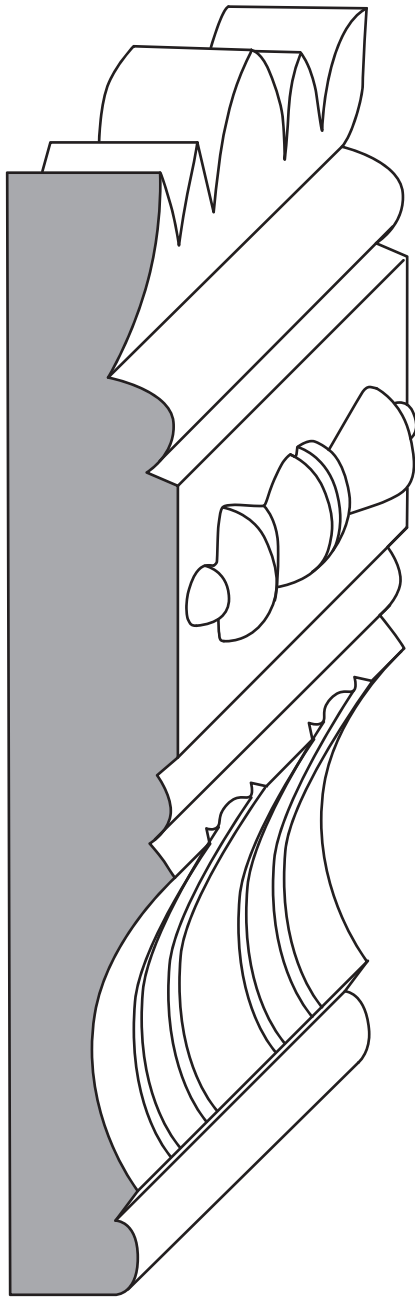
**I43 b** . 1 x 5 x 5"  
25 x 127 x 127 mm



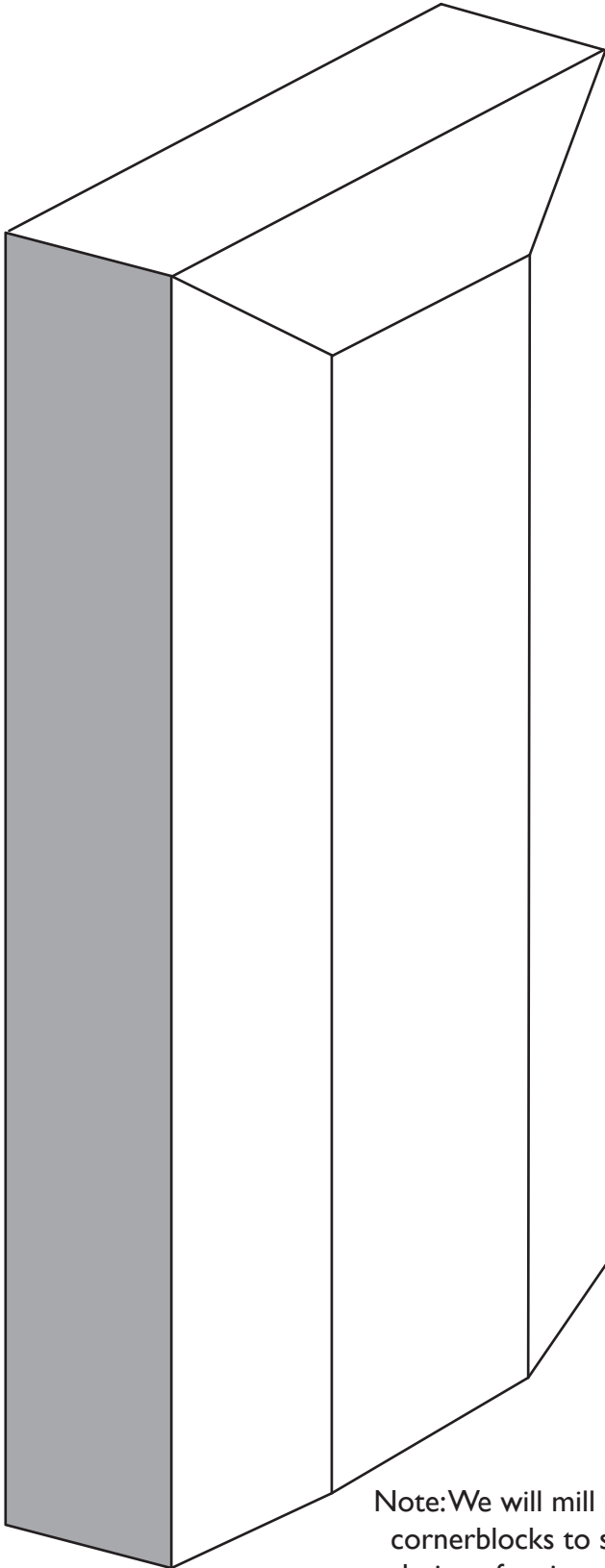
**I42 a** . 1 x 4 1/4 x 4 1/4"  
25 x 108 x 108 mm

**I42 b** . 1 x 5 x 5"  
25 x 127 x 127 mm



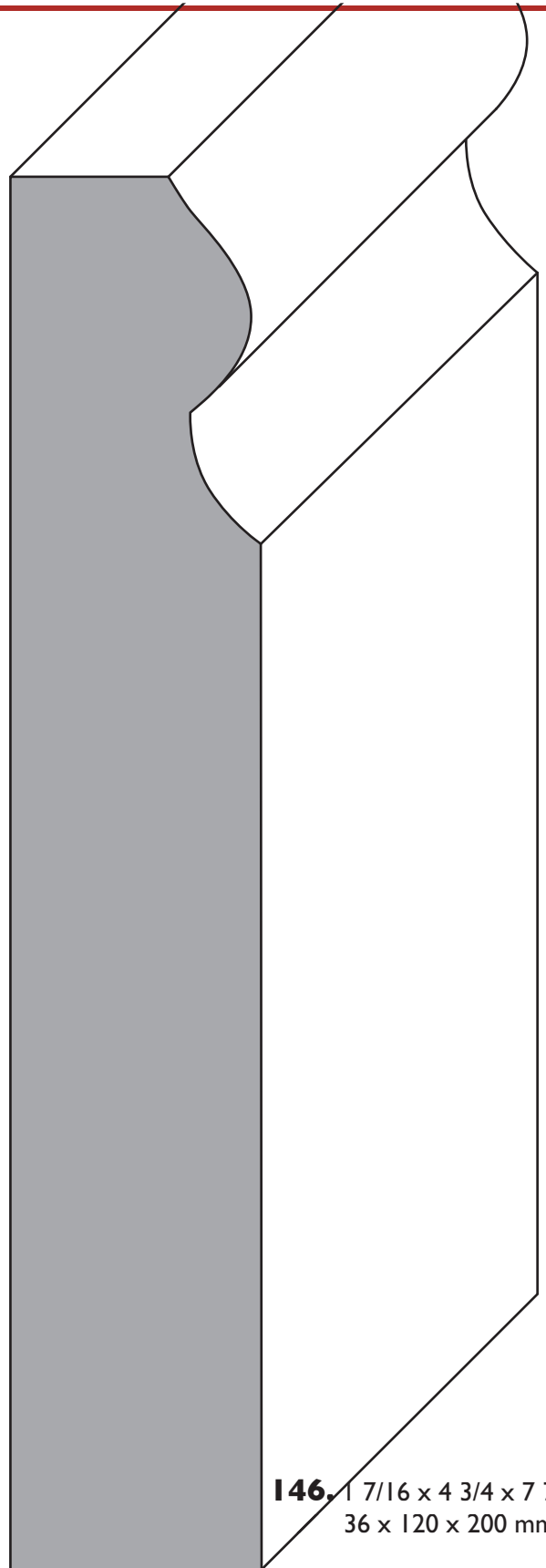


**I44.** 1 5/8 x 4 3/4 x 11"  
41 x 121 x 128 mm  
Optional Applique



**145.** 1 x 4 x 7"  
25 x 102 x 178 mm

Note: We will mill plinth and cornerblocks to suit your choice of casing and base-board dimensions and profile.

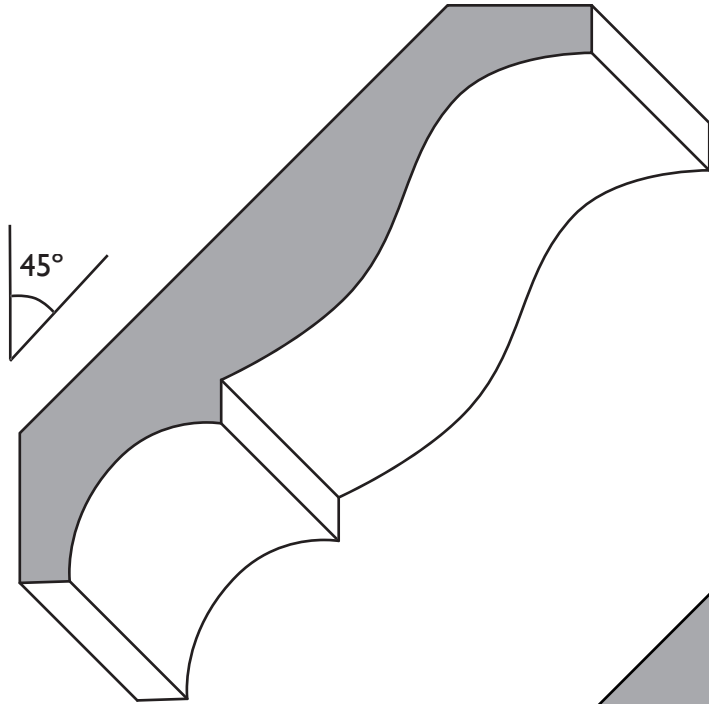


**146.** 1 7/16 x 4 3/4 x 7 7/8  
36 x 120 x 200 mm

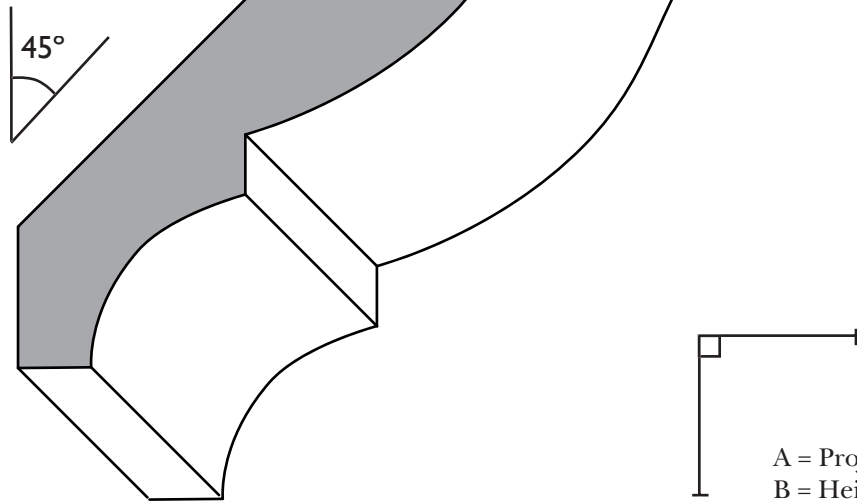
# OLD WORLD

WOODWORKING & MILLWORK INC.

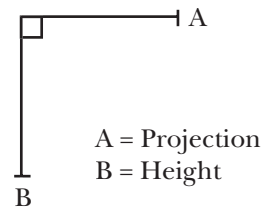
---

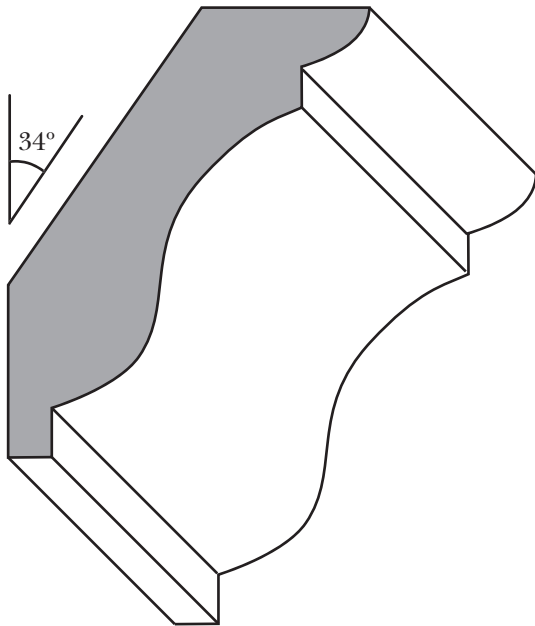


**CRO-400.**  $1\frac{1}{16} \times 4\frac{1}{4}$ "  
A=2  $\frac{15}{16}$  B=2  $\frac{15}{16}$

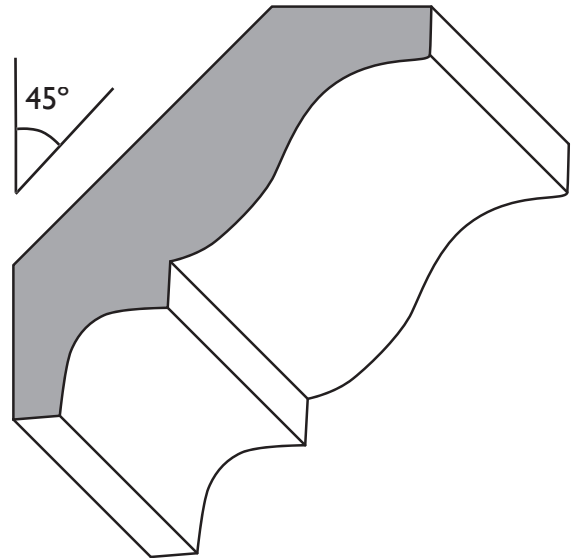


**CRO-702.**  $\frac{3}{4} \times 7\frac{1}{4}$ "  
A=4  $\frac{15}{16}$ " B=4  $\frac{15}{16}$ "

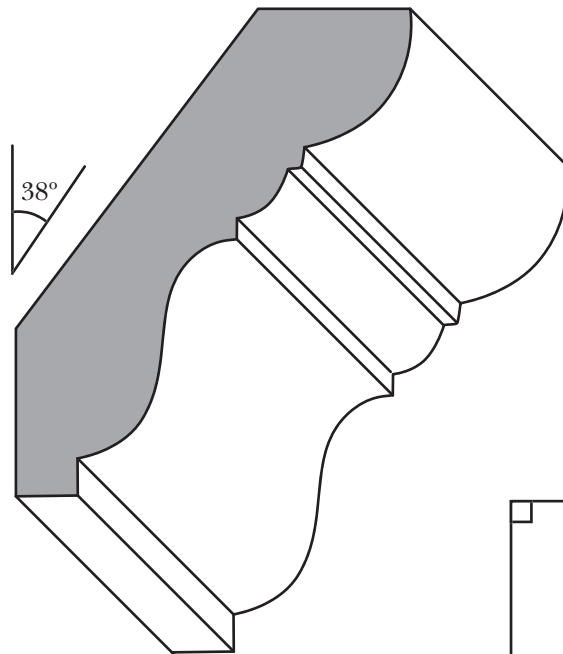




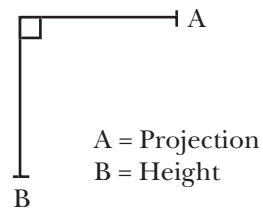
**97.** 3/4 x 3"  
A=1 7/8" (48 mm)  
B=2 3/8" (61 mm)

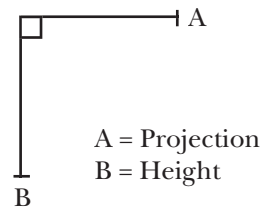
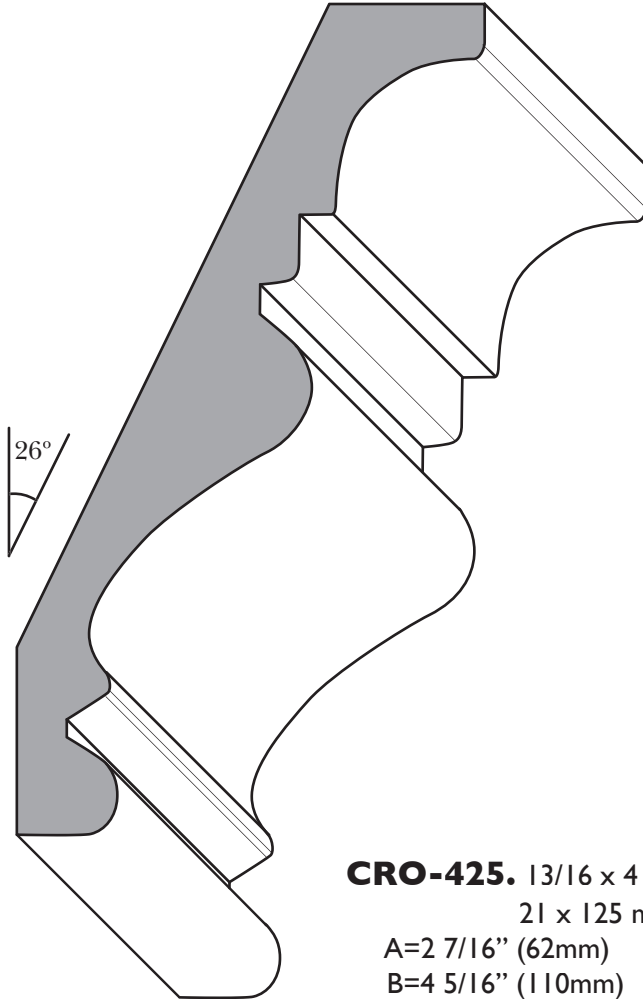


**CRO-302.** 3/4 x 3 1/4" 19 x 83 mm  
A=2 3/16" (56 mm)  
B=2 1/8" (54 mm)

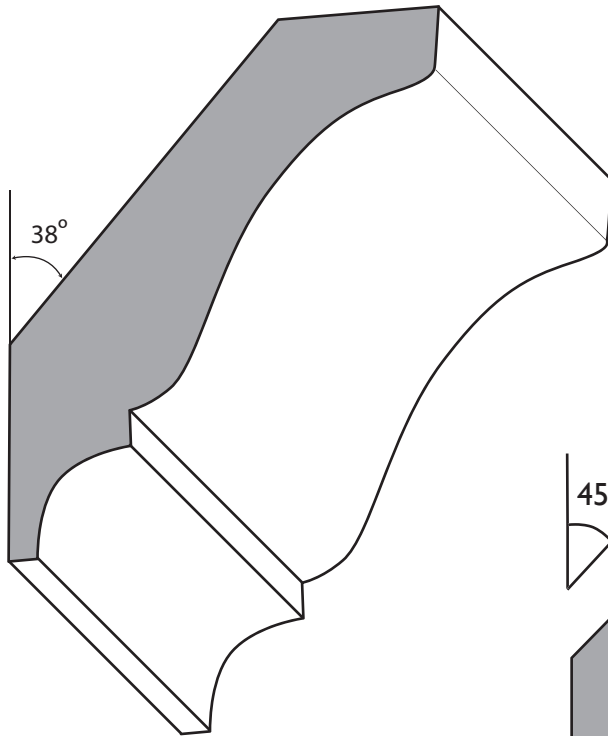


**98.** 3/4 x 3 3/16"  
A=2" (52 mm)  
B=2 1/2" (63 mm)

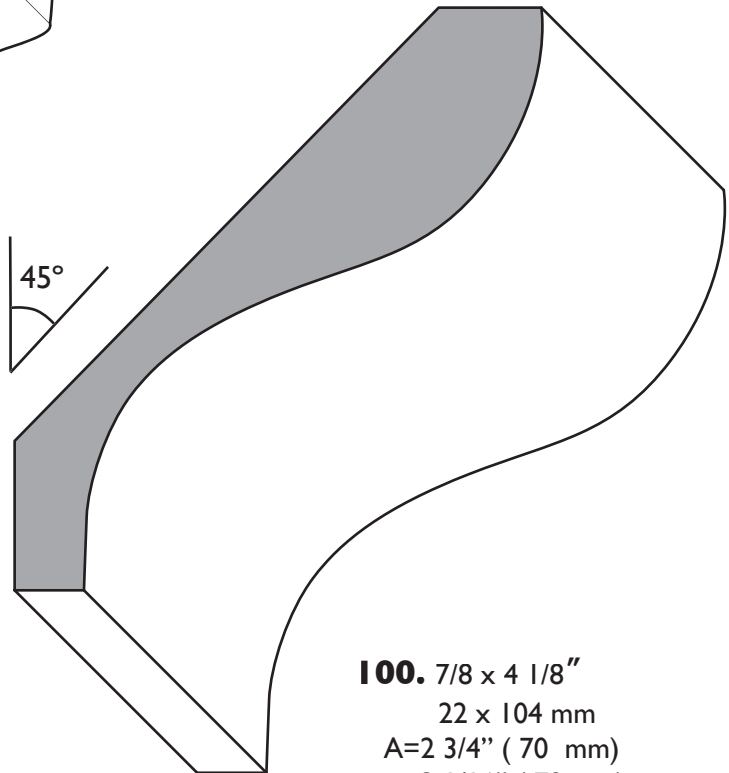




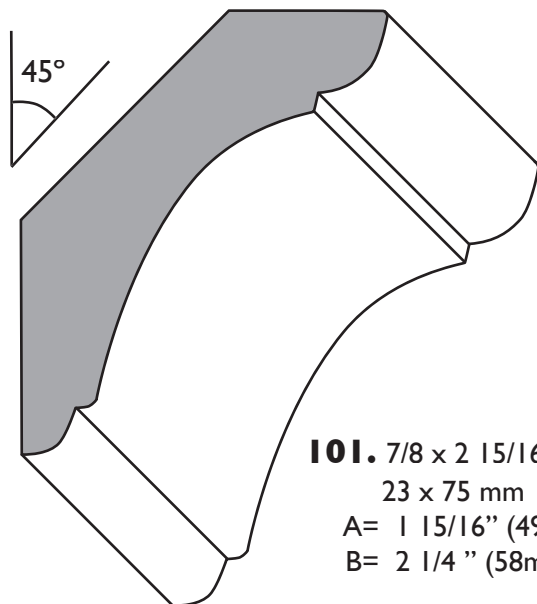
**CRO-425.**  $1\frac{3}{16} \times 4\frac{7}{8}$ "  
21 x 125 mm  
A =  $2\frac{7}{16}$ " (62mm)  
B =  $4\frac{5}{16}$ " (110mm)



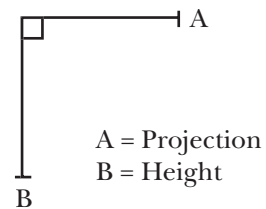
**99.** 13/16 x 3 3/4"  
20 x 95 mm  
A=2 1/4" (62mm)  
B=2 13/16" (110mm)



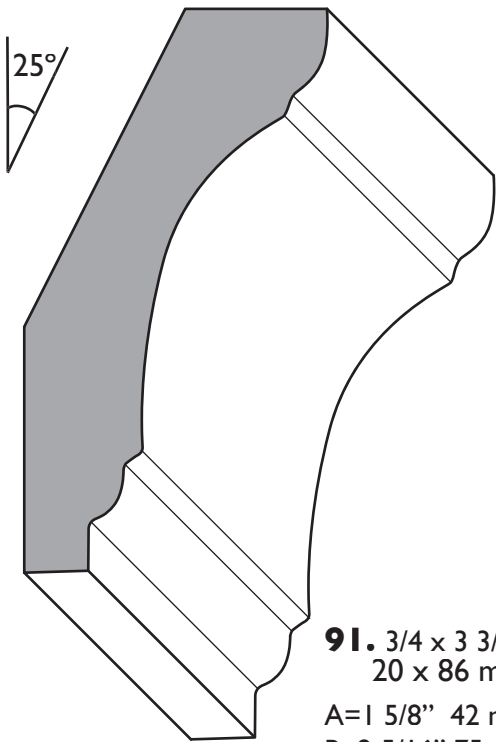
**100.** 7/8 x 4 1/8"  
22 x 104 mm  
A=2 3/4" (70 mm)  
B=3 1/16" (78 mm)



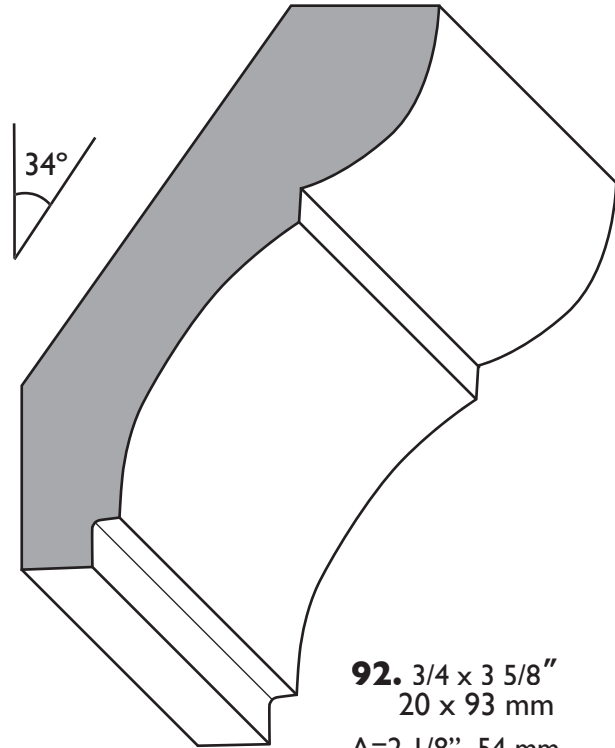
**101.** 7/8 x 2 15/16"  
23 x 75 mm  
A= 1 15/16" (49mm)  
B= 2 1/4 " (58mm)



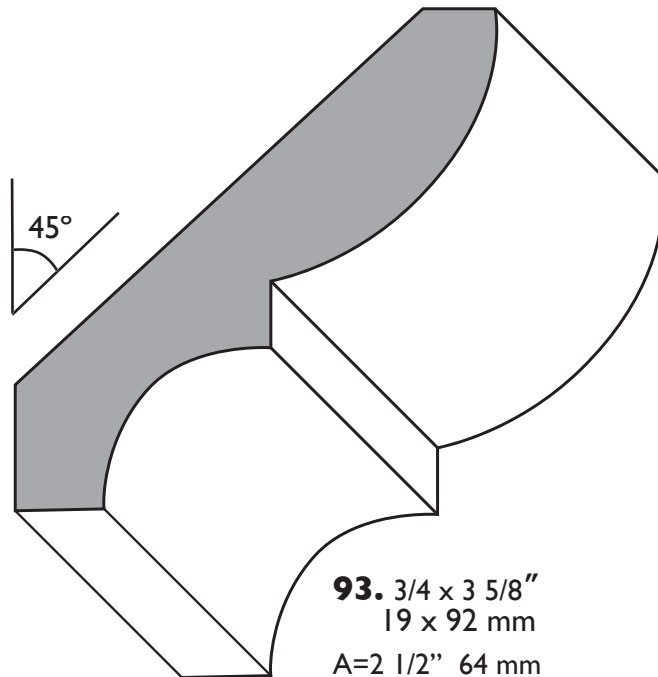




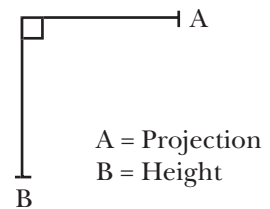
**91.** 3/4 x 3 3/8"  
20 x 86 mm  
A=1 5/8" 42 mm  
B=2 5/16" 75 mm

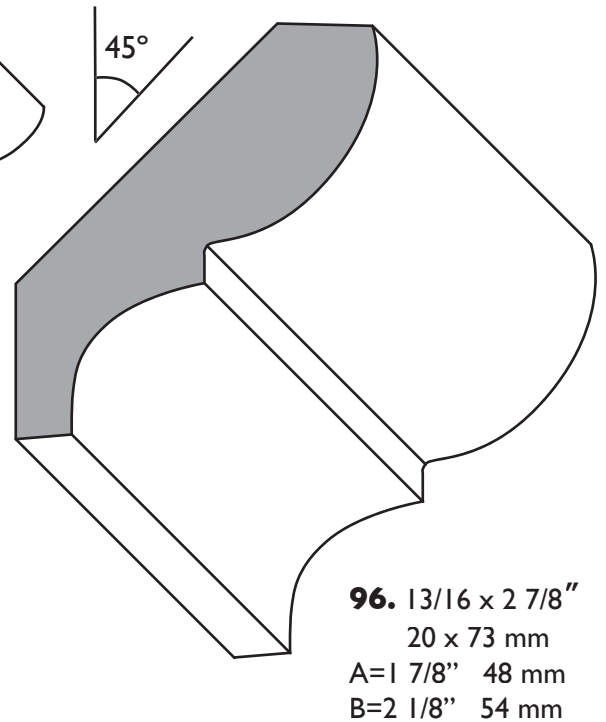
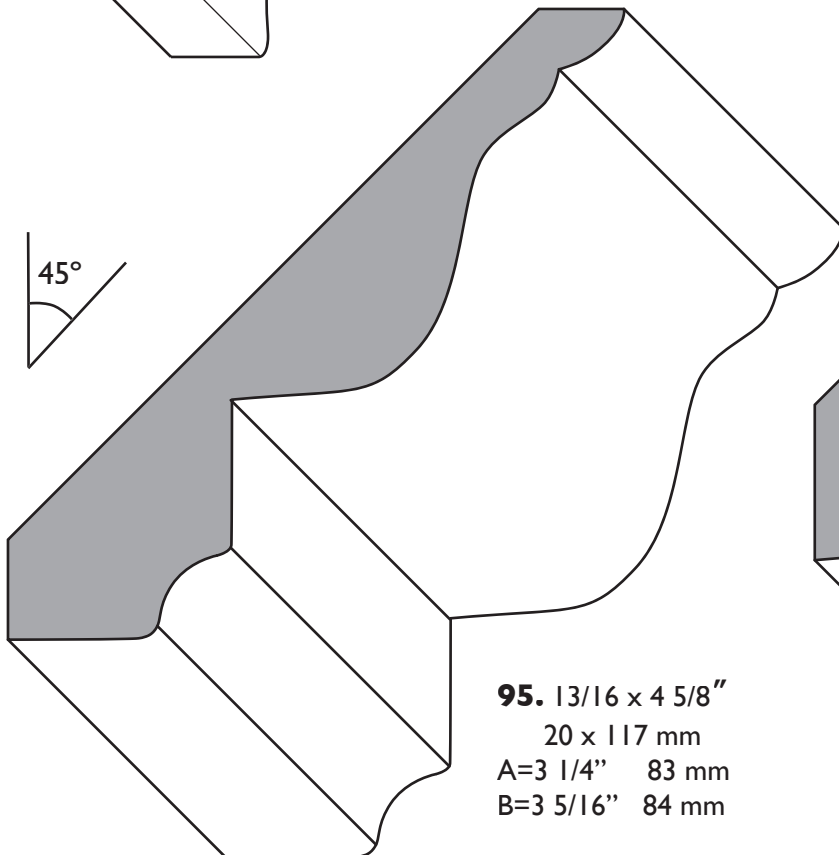
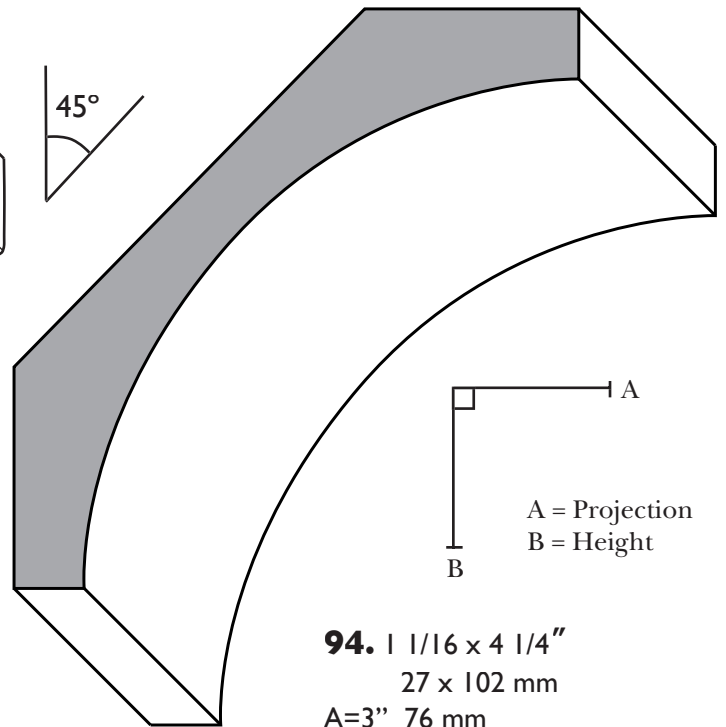
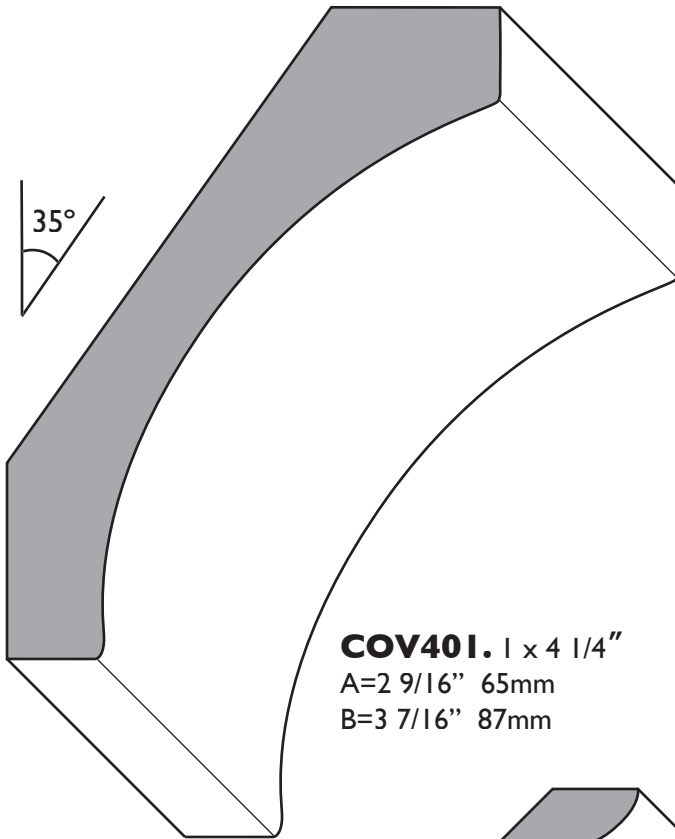


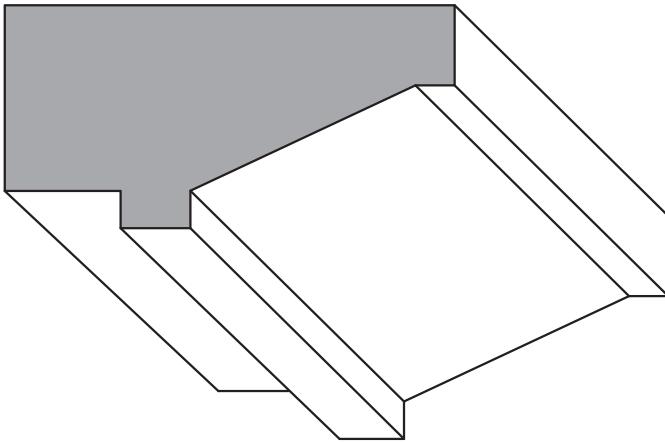
**92.** 3/4 x 3 5/8"  
20 x 93 mm  
A=2 1/8" 54 mm  
B=3" 76 mm



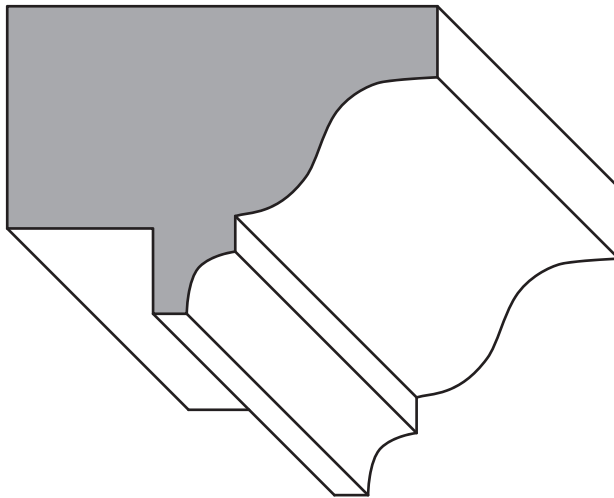
**93.** 3/4 x 3 5/8"  
19 x 92 mm  
A=2 1/2" 64 mm  
B=2 5/8" 67 mm



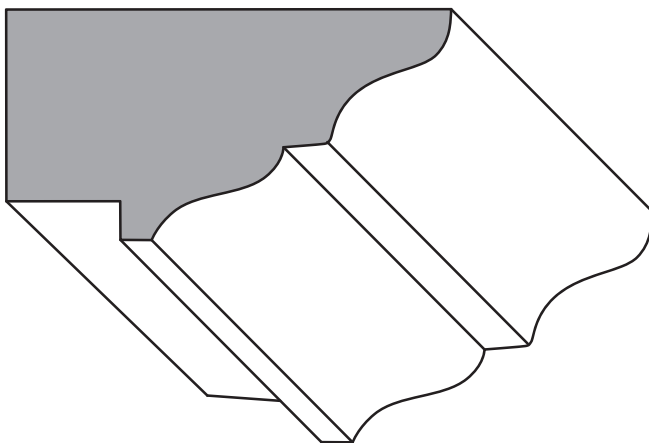




**163.** 1 1/4 x 2 3/8"  
30 x 60 mm  
3/16 x 5/8 rabet  
5 x 15 Rabet

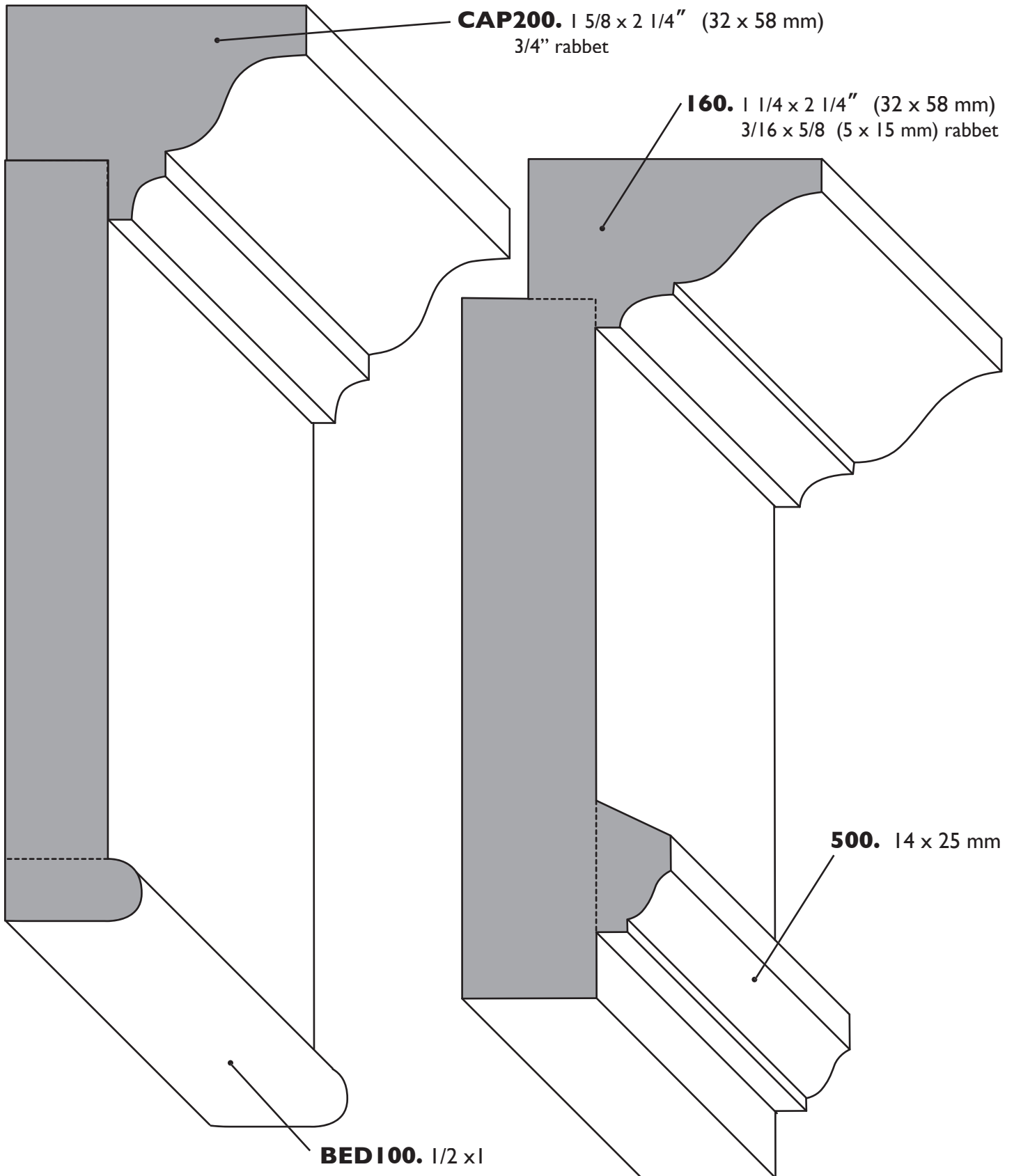


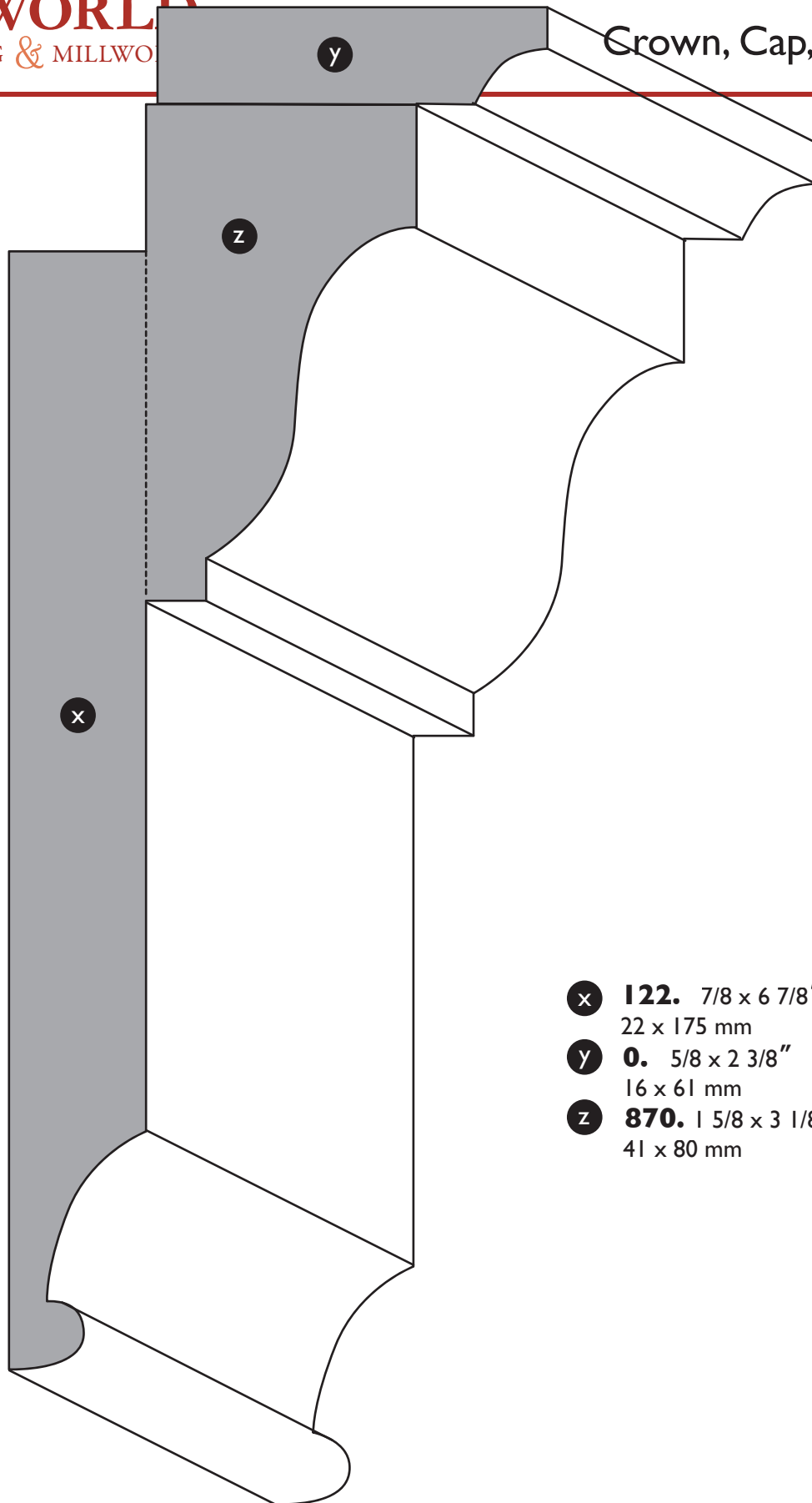
**CAP200.** 1 5/8 x 2 1/4"



**164.** 1 1/4 x 2 5/16"  
30 x 60 mm  
3/16 x 5/8 rabet  
5 x 15 Rabet

Note: This moulding can be used  
for Architrave over door, similar to  
160



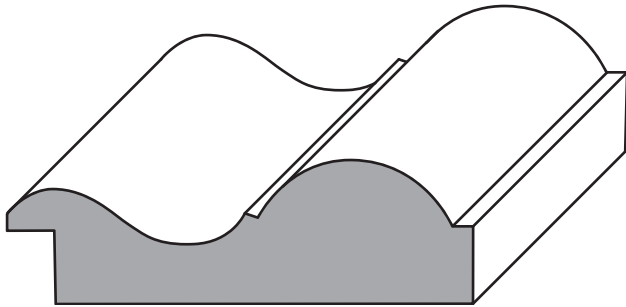


- ⊗ **122.** 7/8 x 6 7/8"  
22 x 175 mm
- ⊙ **0.** 5/8 x 2 3/8"  
16 x 61 mm
- ⊗ **870.** 1 5/8 x 3 1/8"  
41 x 80 mm

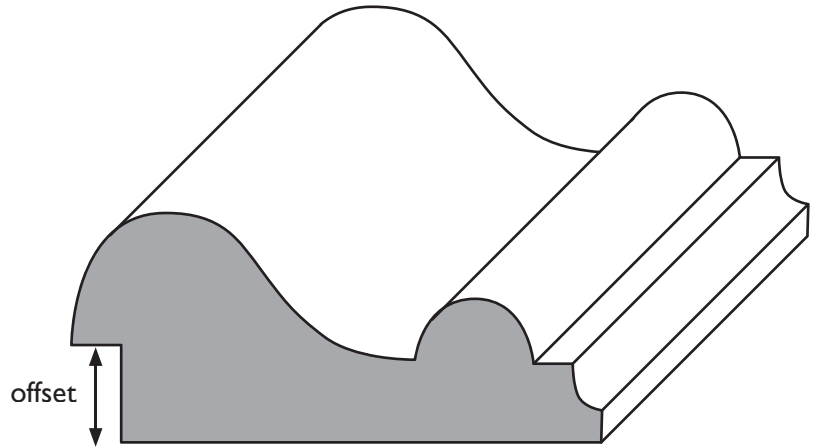
# OLD WORLD

WOODWORKING & MILLWORK INC.

---

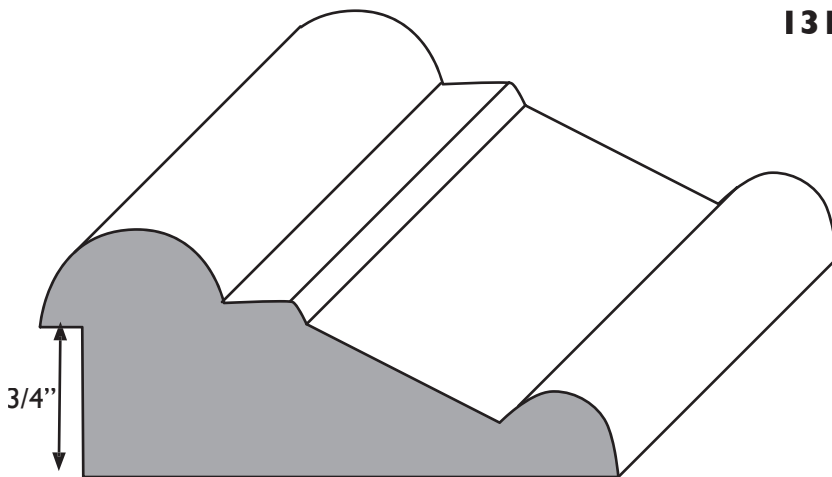


**136.** 3/4 X 2 7/16" 1/4" 5mm offset  
19 X 62 mm

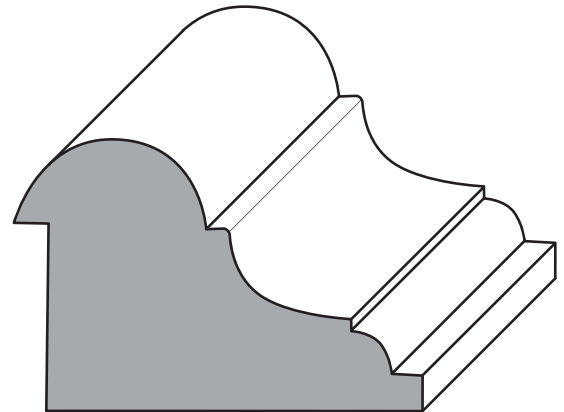


**131a.** 1 1/8 x 2 3/4" 1/4" offset  
29 x 73 mm

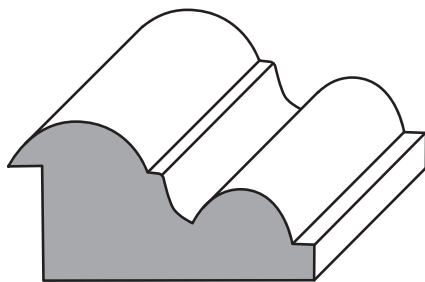
**131b.** 1 1/8 x 2 3/4" 1/2" offset



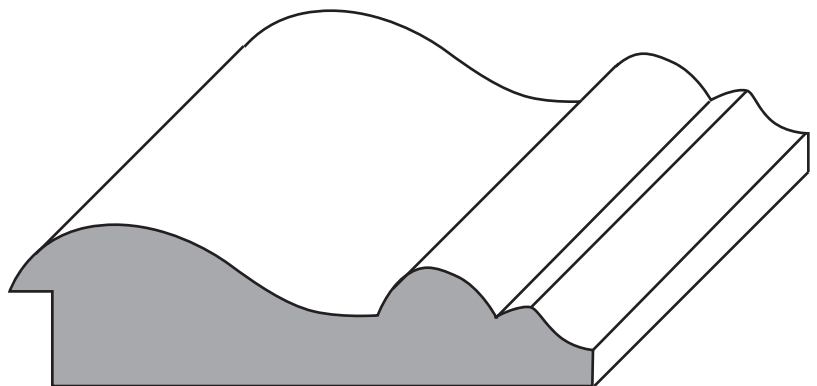
**132.** 1 5/16 x 3" 3/4" offset  
33 x 77 mm



**135.** 36 X 55mm 1" offset



**134.** 13/16 x 1 5/8" 5/8" offset  
21 x 41 mm



**133a.** 13/16 x 3" 21x77mm 3/4" offset

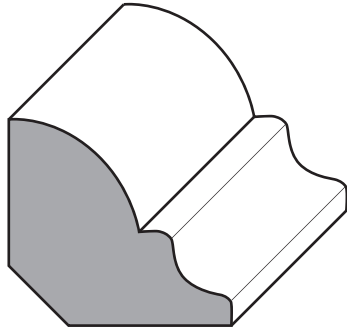
**133b.** 1/2" offset

# OLD WORLD

WOODWORKING & MILLWORK INC.

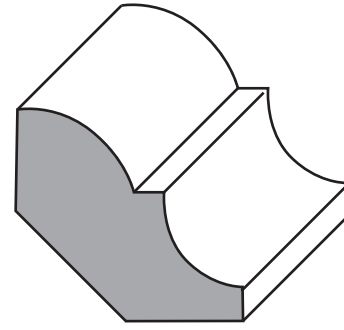
---



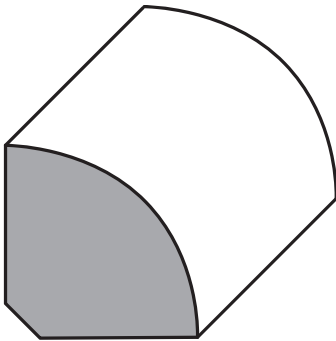


**BED-100.** 11/16 x 1 1/2"

**BED-201.** 3/4 x 2 1/2"

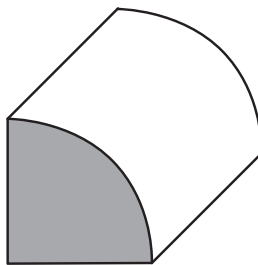


**114.** 5/8 x 1 5/8"  
16 x 41 mm



**QUA-102.** 1 x 1"

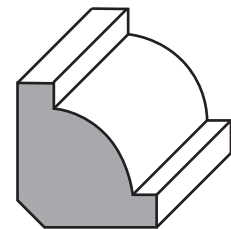
**QUA-004.** 11/16 x 11/16"



**QUA-009.** 3/4 x 3/4"

**QUA-006.** 1/2 x 1/2"

**QUA-009.** 1/4 x 1/4"

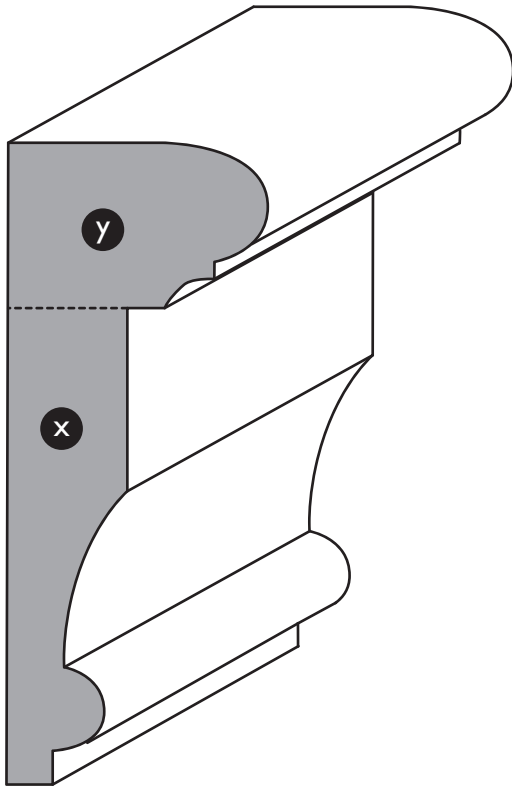


**QUA-003.** 3/4 x 3/4"

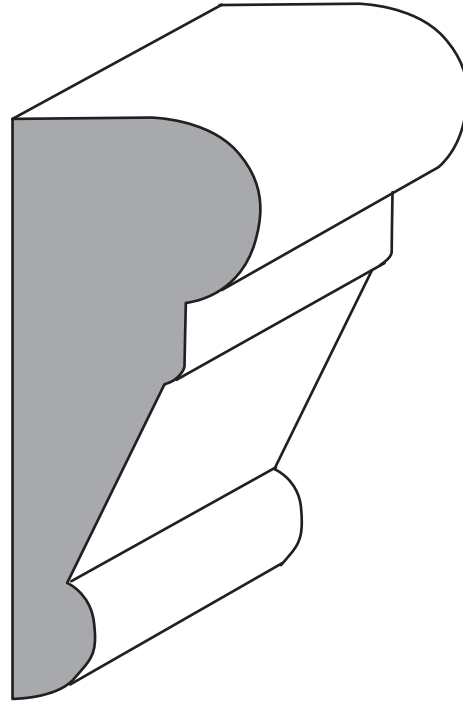
# OLD WORLD

WOODWORKING & MILLWORK INC.

---



**120.**  $1\frac{3}{8} \times 3\frac{3}{8}$ "  
35 x 86 mm  
x  $\frac{5}{8} \times 2\frac{3}{8}$ "  
16 x 61 mm  
y  $\frac{13}{16} \times 1\frac{5}{16}$ "  
21 x 33 mm

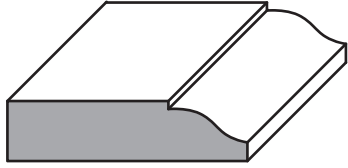


**121.**  $1\frac{5}{16} \times 3$ "  
33 x 77 mm

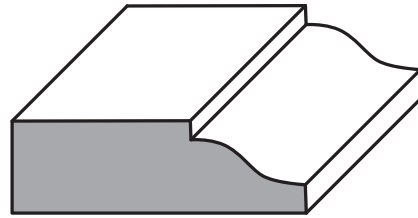
# OLD WORLD

WOODWORKING & MILLWORK INC.

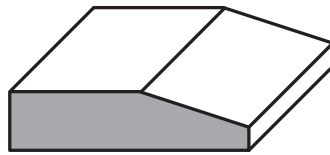
---



**STO100.** 5/16 x 1 1/4"



**STO102.** 1/2 x 1 1/2"

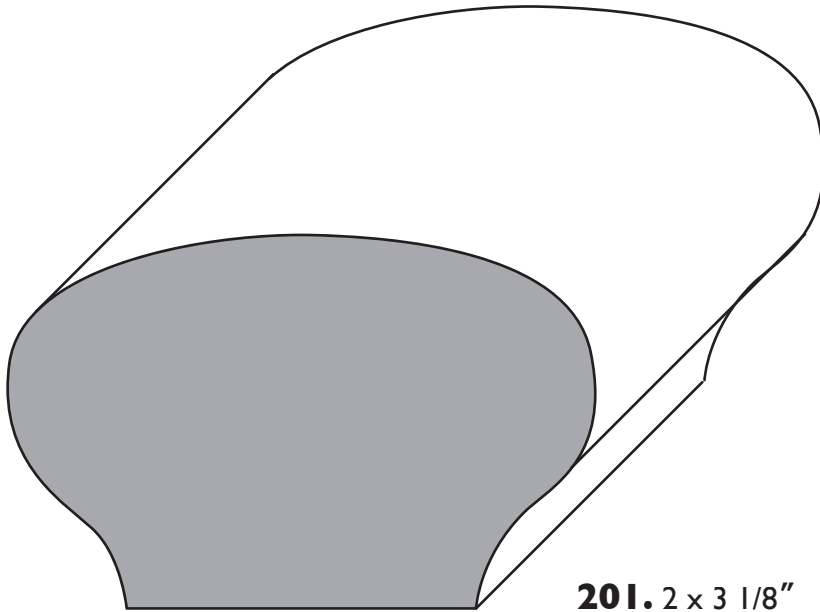


**STO139.** 5/16 x 1 1/4"

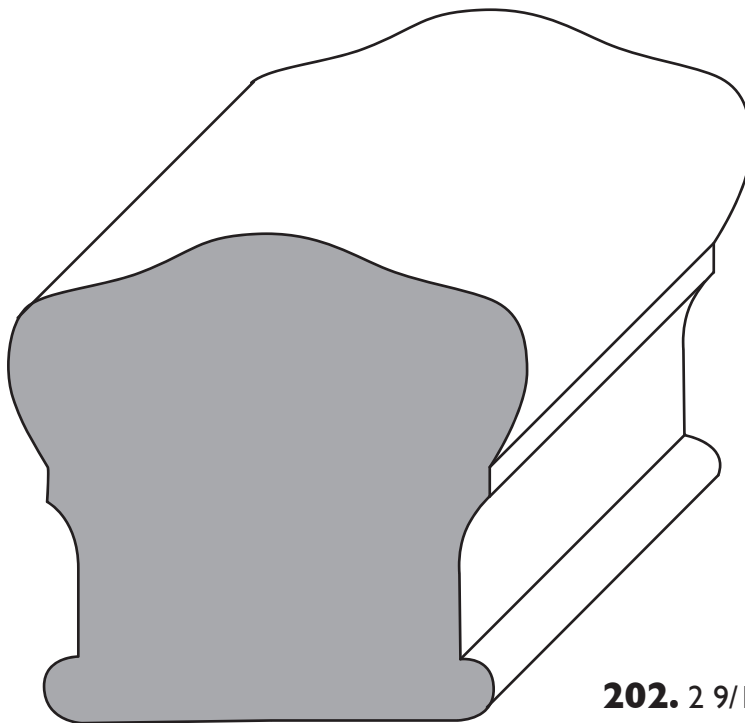
# OLD WORLD

WOODWORKING & MILLWORK INC.

---

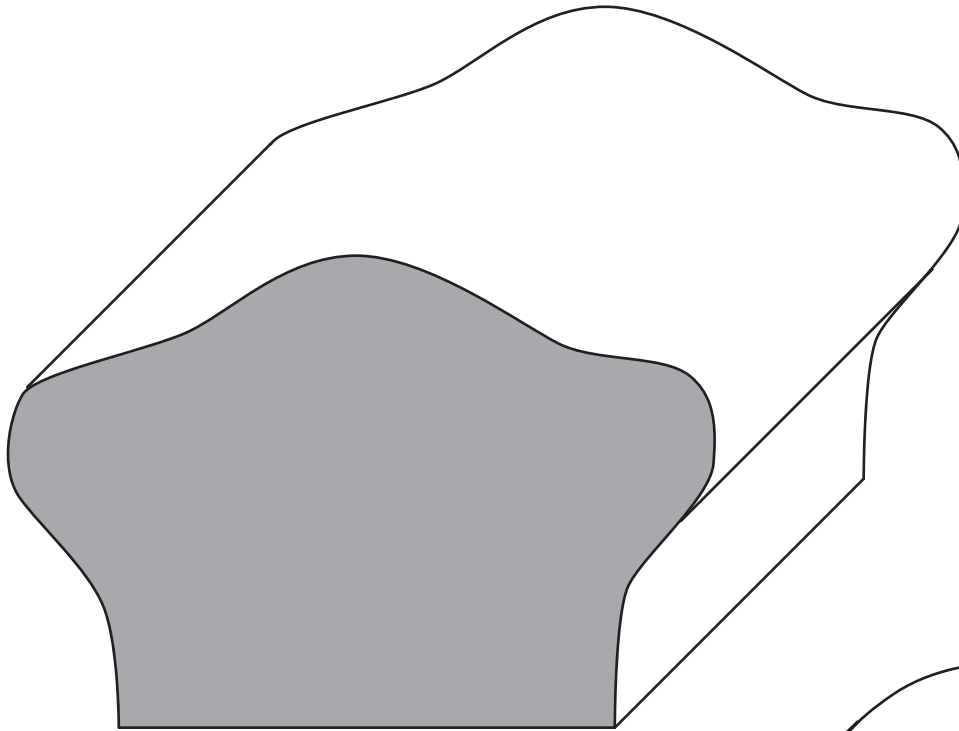


**201.** 2 x 3 1/8"  
51 x 80 mm

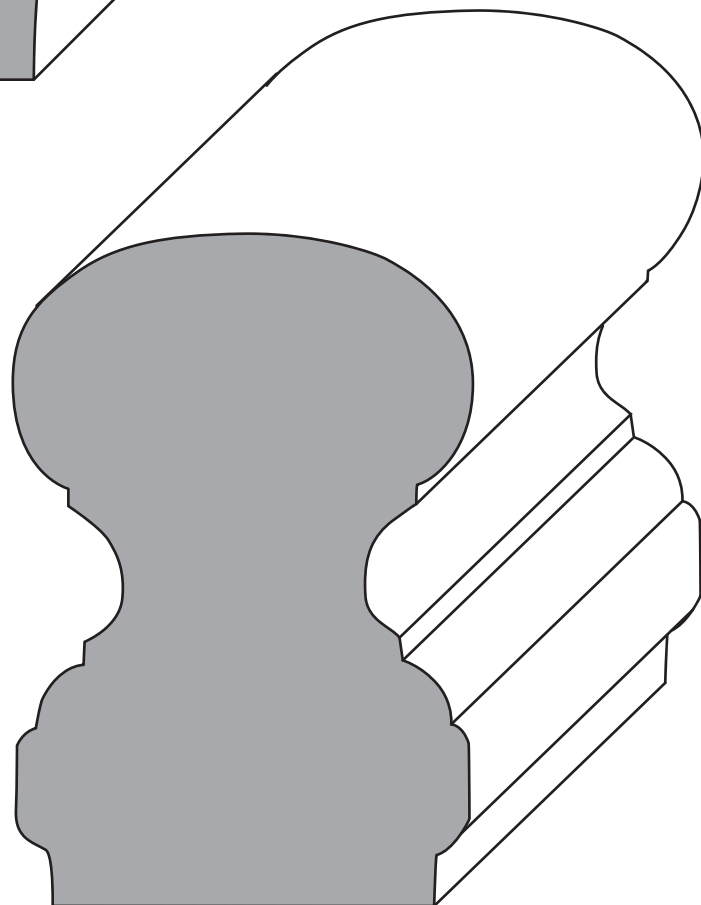


**202.** 2 9/16 x 2 3/4"  
66 x 70 mm

**Note: Handrail with groove and filler piece available**



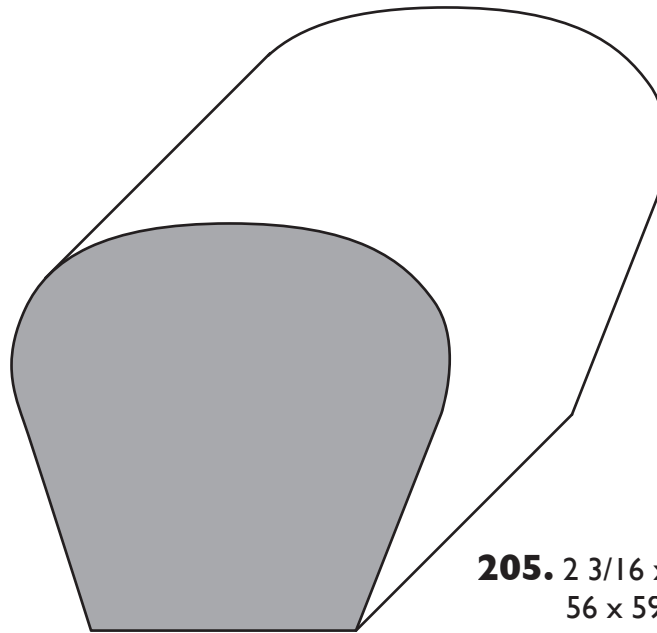
**203.** 2 7/16 x 3 11/16"  
62 x 95 mm



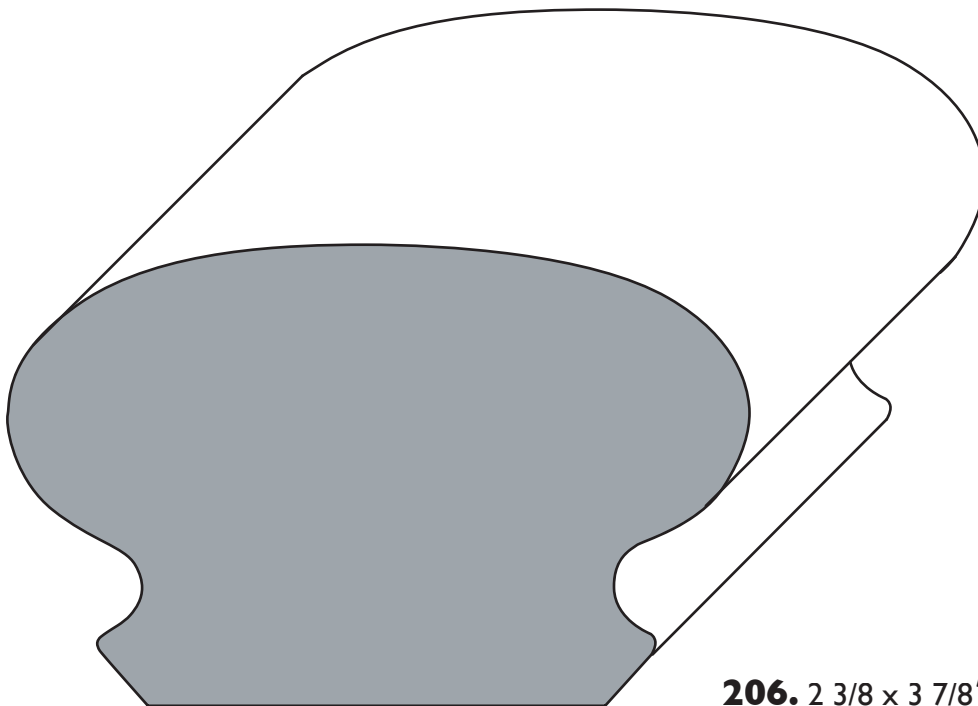
**204.** 2 3/8 x 3 1/2"  
61 x 89 mm

**Note: Handrail with groove and filler piece available**



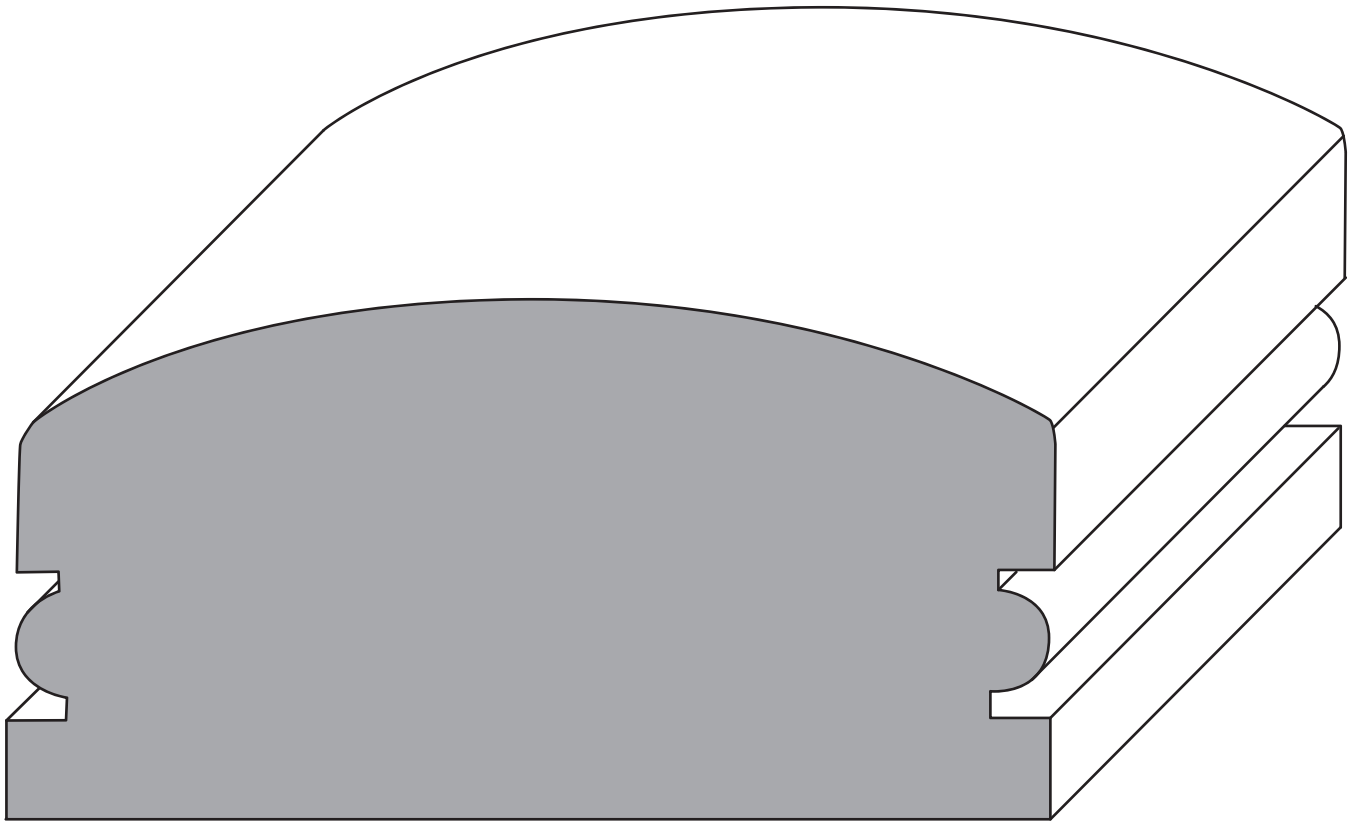


**205.** 2 3/16 x 2 5/16"  
56 x 59 mm



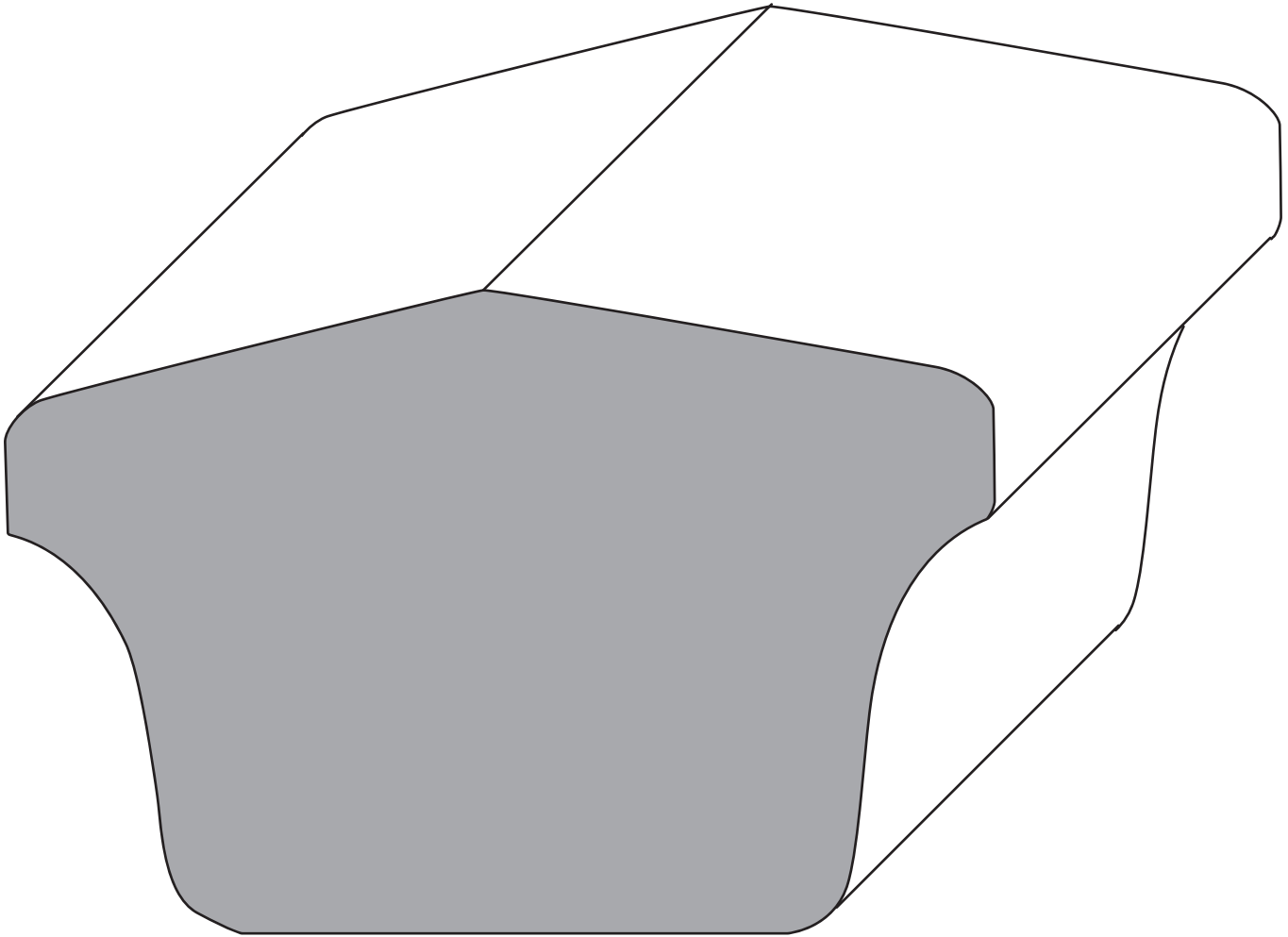
**206.** 2 3/8 x 3 7/8"  
61 x 98 mm

**Note: Handrail with groove and filler piece available**



**210.**  $2 \frac{11}{16} \times 5 \frac{1}{2}$ "  
69 x 140 mm

Note: Handrail with groove and filler piece available

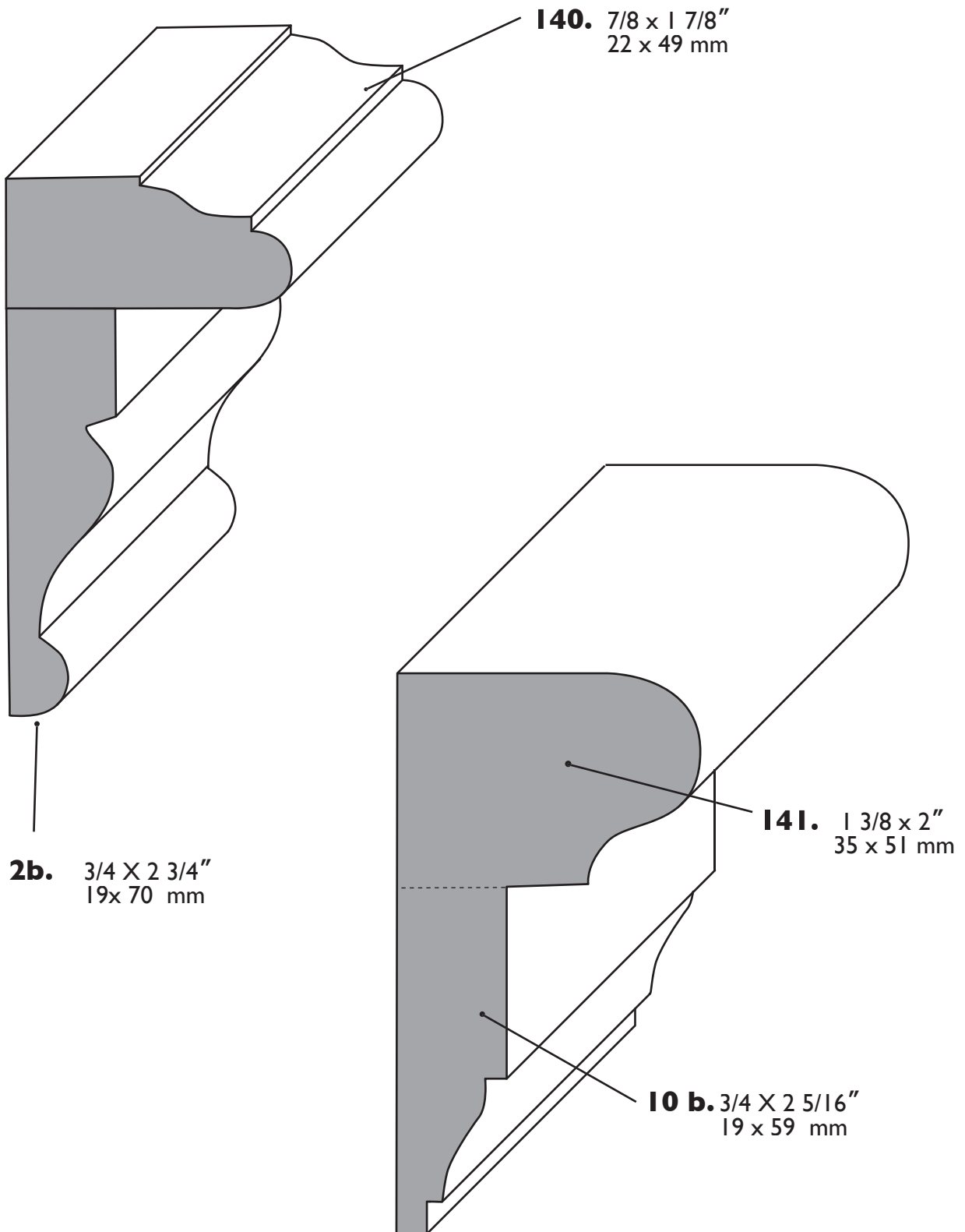


**211. 3 1/2 x 5 1/2"**  
89 x 140 mm

# OLD WORLD

WOODWORKING & MILLWORK INC.

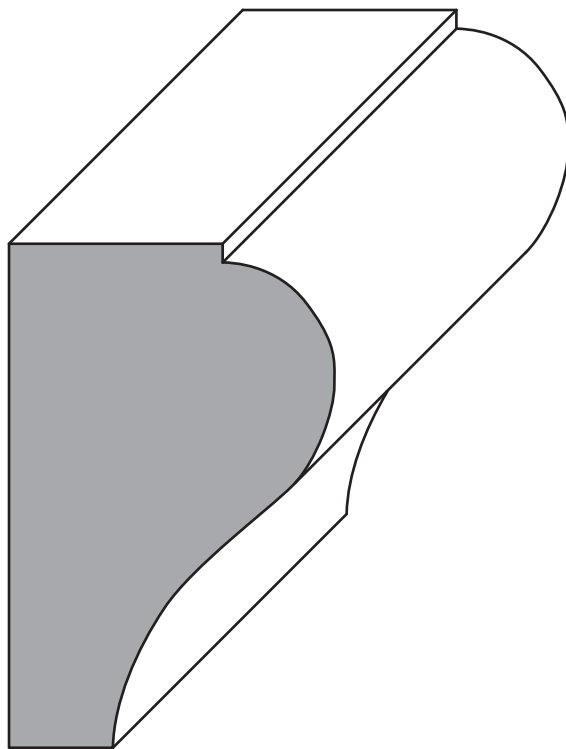
---



# OLD WORLD

WOODWORKING & MILLWORK INC.

---



**501.**  $1 \frac{11}{16} \times 2 \frac{5}{8}$ "  
43 x 67 mm

